

Product Specifications

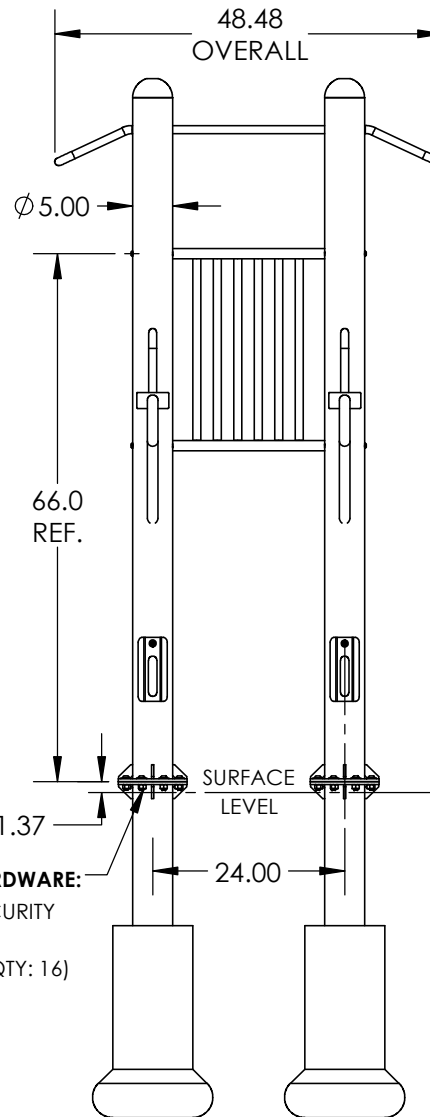
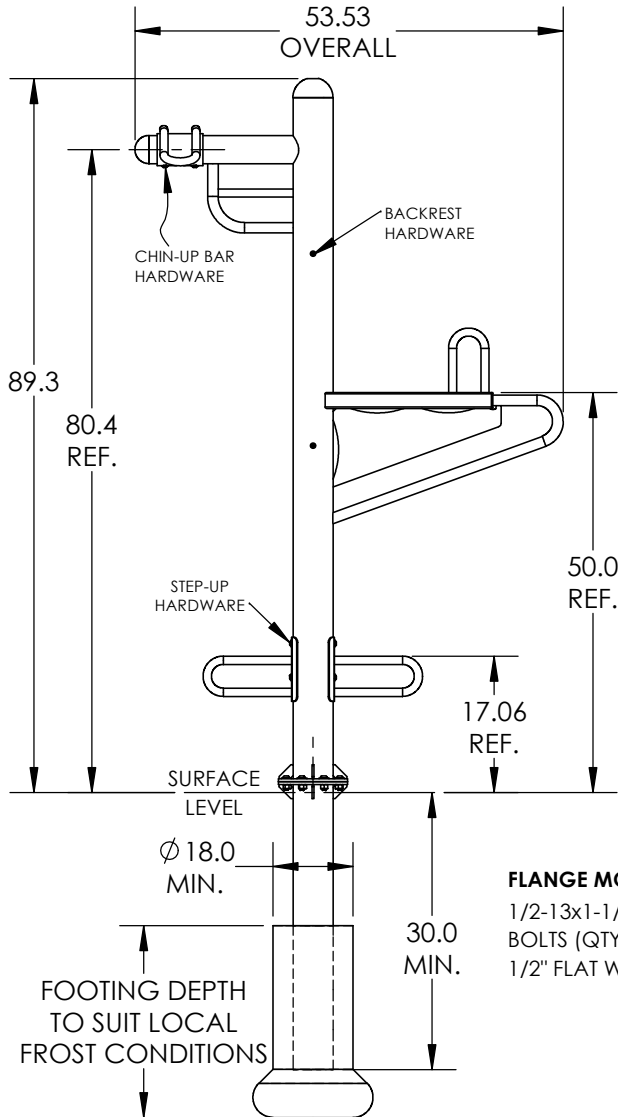
PARIS

Site Furnishings • Outdoor Fitness

Description: **PULL-UP/LEG LIFT COMBO, IN GROUND MOUNT**
 Part #/Model #: **78000001**

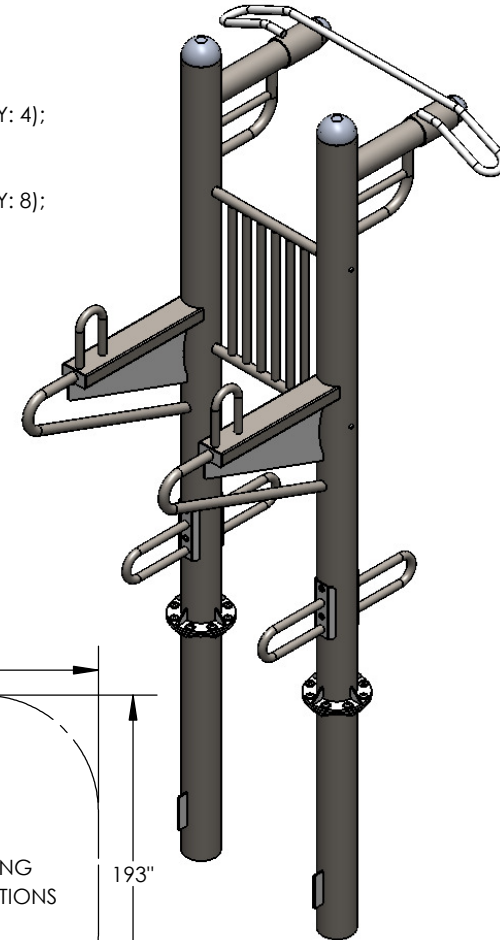
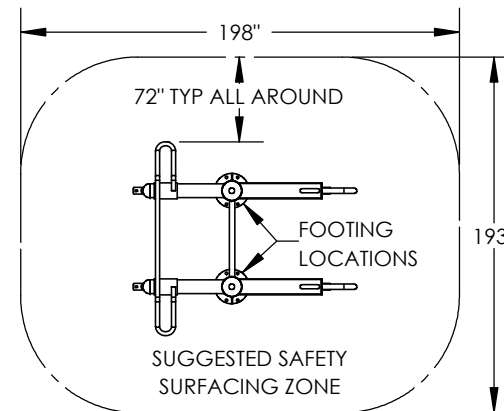


259 Third concession Rd, PO Box 490
 Princeton, ON, N0J 1V0
 Toll-free: 1-800-387-6318
 Phone: (519) 458-4882
 Fax: (519) 458-8087
 www.peml.com



- ATTACHMENT HARDWARE:**
- CHIN-UP BAR:**
 - 3/8-16x1-1/4" BH SECURITY BOLT, (QTY: 4);
 - 3/8" FLAT WASHER (QTY: 4)
 - STEP-UP HOOPS:**
 - 3/8-16x1-1/4" BH SECURITY BOLT, (QTY: 8);
 - 3/8" FLAT WASHER (QTY: 8)
 - BACKREST:**
 - 3/8-16x6" BH SECURITY BOLT (QTY: 4)

- FLANGE MOUNT HARDWARE:**
- 1/2-13x1-1/2" BH SECURITY BOLTS (QTY: 16)
 - 1/2" FLAT WASHER (QTY: 16)



Product Specifications

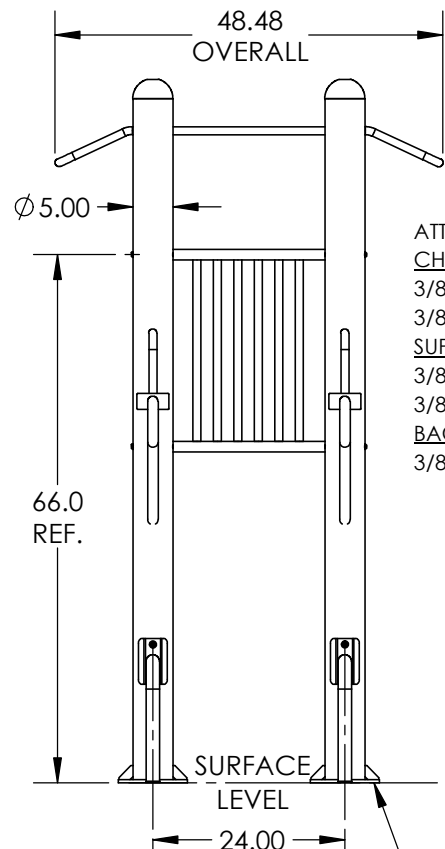
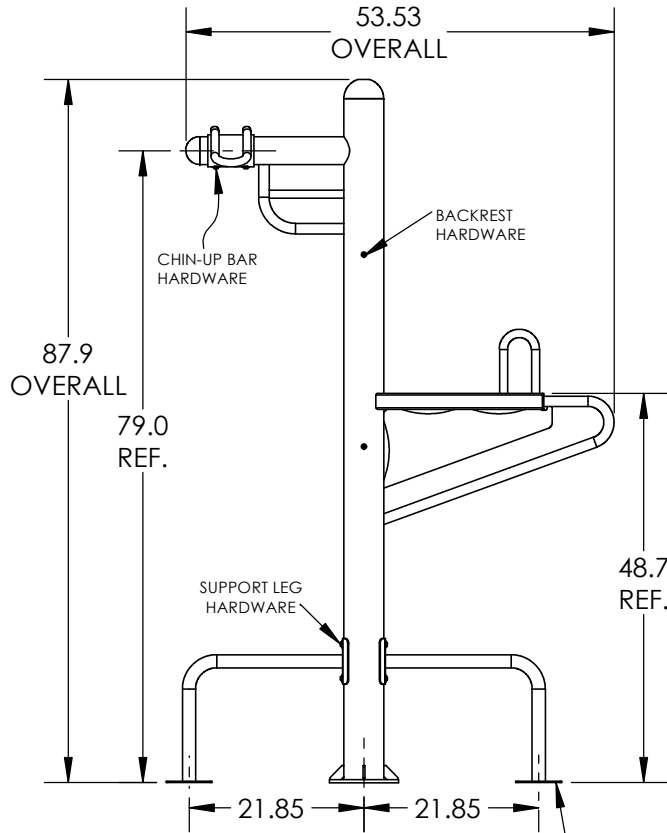
PARIS

Site Furnishings • Outdoor Fitness

Description: **PULL-UP/LEG LIFT COMBO, SURFACE MOUNT**
 Part #/Model #: **78000001SM**



259 Third concession Rd, PO Box 490
 Princeton, ON, N0J 1V0
 Toll-free: 1-800-387-6318
 Phone: (519) 458-4882
 Fax: (519) 458-8087
 www.peml.com



ATTACHMENT HARDWARE:

CHIN-UP BAR:

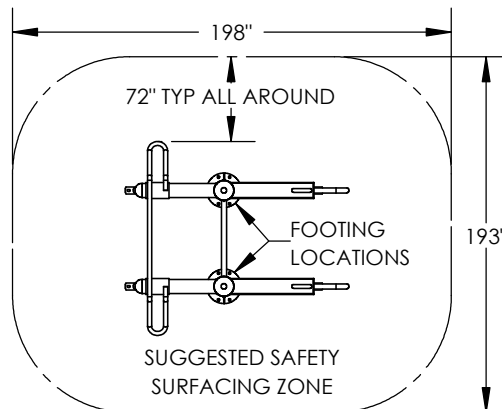
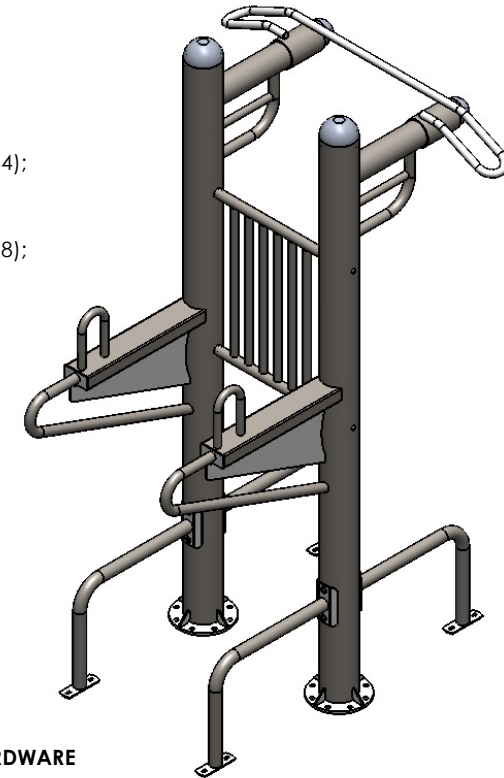
3/8-16x1-1/4" BH SECURITY BOLT, (X4);
 3/8" FLAT WASHER (X4)

SUPPORT LEGS:

3/8-16x1-1/4" BH SECURITY BOLT, (X8);
 3/8" FLAT WASHER (X8)

BACKREST:

3/8-16x6" BH SECURITY BOLT (X4)



SUGGESTED ANCHORING HARDWARE FOR OUTRIGGER SUPPORT LEGS:
 7/16" TO 3" LONG EXPANDING WEDGE BOLTS (x8)

SUGGESTED ANCHORING HARDWARE FOR 5" POST PLATES:
 1/2" TO 5/8" X 4" LG. EXPANDING WEDGE BOLTS (QTY: 16)

NOTES:

1. COMPLETELY ASSEMBLY UNIT PRIOR TO DRILLING ANCHOR BOLT HOLES IN CONCRETE. (USING ASSEMBLED UNIT AS DRILL TEMPLATE)
2. ANCHORING HARDWARE NOT INCLUDED AS IT IS IMPOSSIBLE TO FORSEE ALL POSSIBLE MOUNTING SURFACE CONDITIONS. THEREFORE, ANCHORING HARDWARE 'TYPES' ARE SUGGESTED ONLY FOR A TYPICAL CONCRETE PAD. THE CONCRETE SHOULD BE FULLY CURED AND 4-6" THICK.