

Product Specifications

PARIS

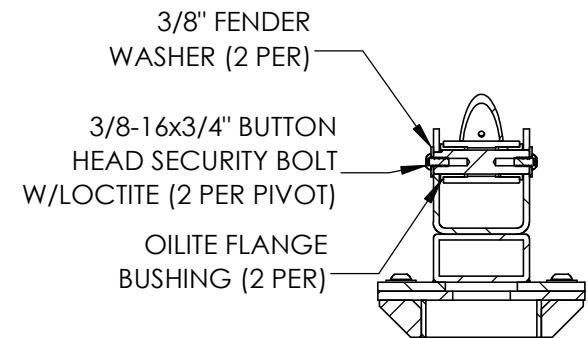
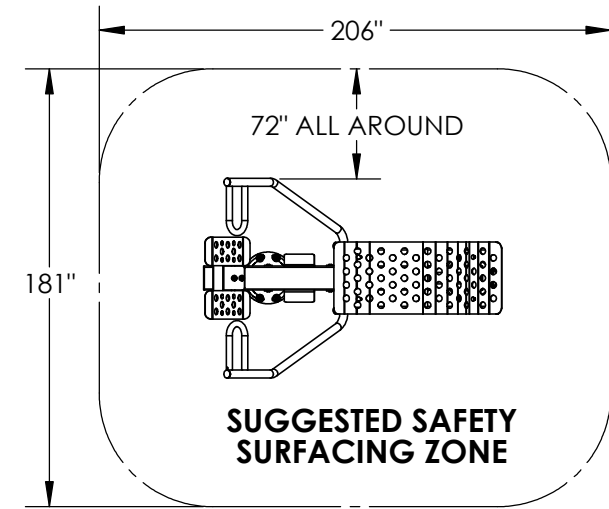
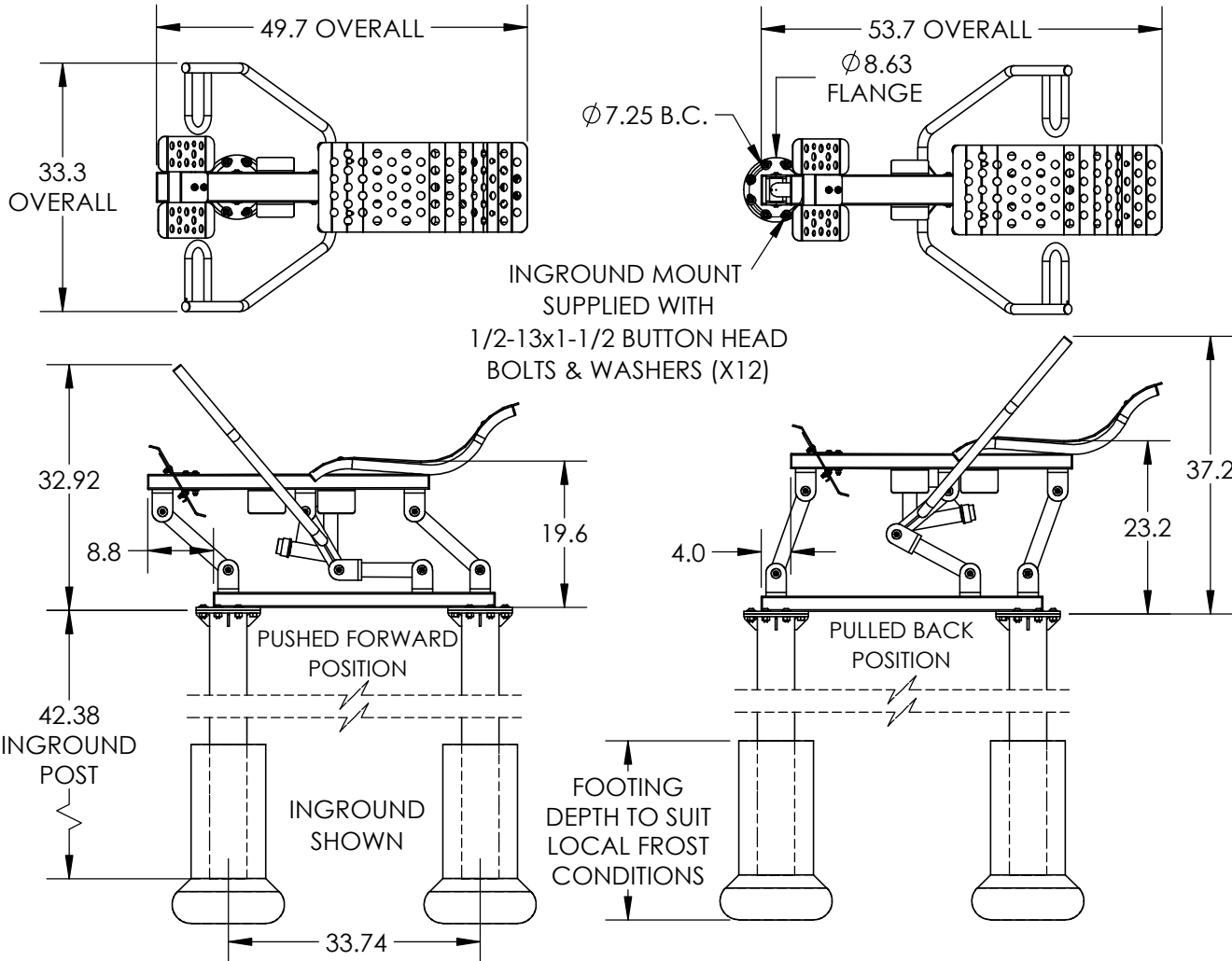
Site Furnishings • Outdoor Fitness

Description: **PARIS FITNESS, POWER ROWING MACHINE**

Part #/Model #: **78000007(INGROUND MOUNT) / 78000007SM(SURFACE MOUNT)**



259 Third concession Rd, PO Box 490
 Princeton, ON, N0J 1V0
 Toll-free: 1-800-387-6318
 Phone: (519) 458-4882
 Fax: (519) 458-8087
 www.peml.com



- NOTES:**
- FOR SURFACE MOUNT, ANCHORING HARDWARE IS NOT INCLUDED AS IT IS IMPOSSIBLE TO FORESEE ALL POTENTIAL MOUNTING SURFACE CONDITIONS. THEREFORE, ANCHORING HARDWARE 'TYPES' ONLY ARE SUGGESTED FOR A TYPICAL CONCRETE PAD. PAD SHOULD BE FULLY CURED & A MINIMUM OF 3-1/2" THICK.
 - **SURFACE MOUNT SUGGESTED ANCHORING HARDWARE:** Ø7/16" TO Ø1/2" X 3" LONG EXPANDING WEDGE BOLTS AND WASHERS (8 REQUIRED). THE ACTUAL ROWER ASSEMBLY SHOULD BE USED AS A TEMPLATE TO LOCATE ANCHOR HOLES.