

Product Specifications

PARIS

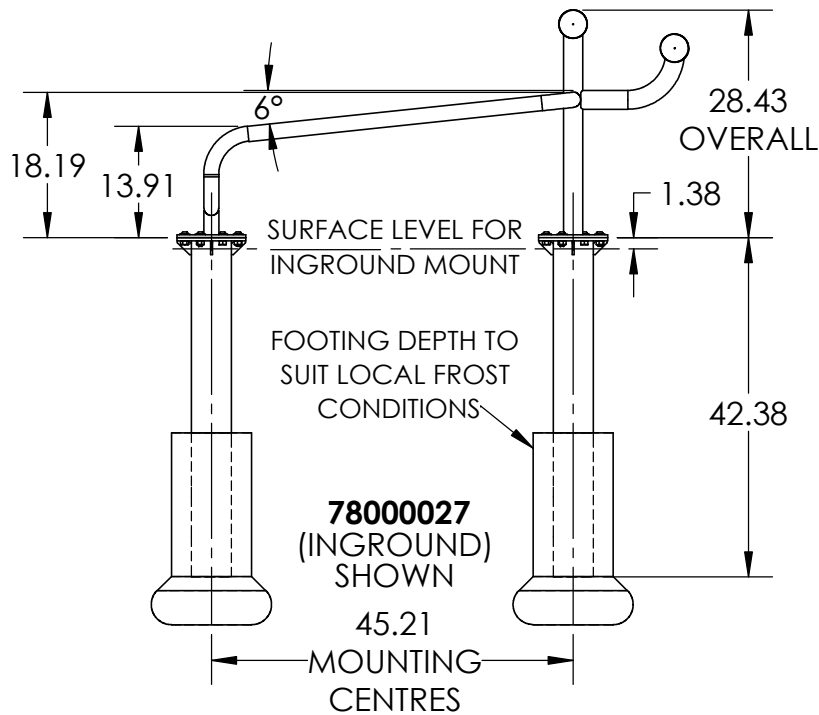
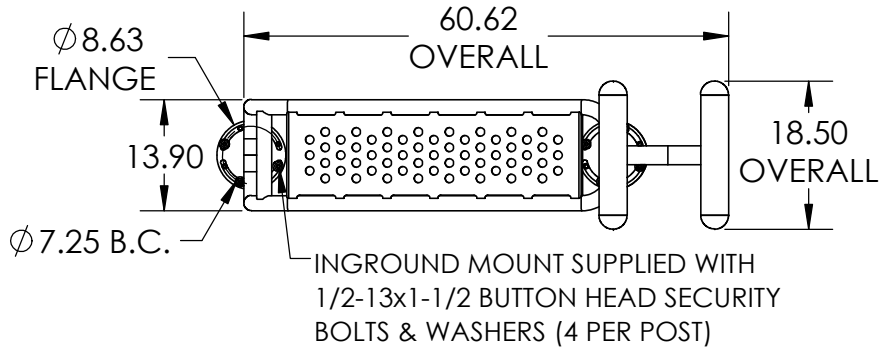
Site Furnishings • Outdoor Fitness



259 Third concession Rd, PO Box 490
 Princeton, ON, N0J 1V0
 Toll-free: 1-800-387-6318
 Phone: (519) 458-4882
 Fax: (519) 458-8087
 www.peml.com

Description: **FITNESS, SINGLE INCLINED SIT-UP BENCH**

Part #/Model #: **78000027(INGROUND MOUNT); 78000027SM (SURFACE MOUNT)**



MATERIALS SPECIFICATIONS:

- Ø1.90, Ø2.38 & Ø3.50 STEEL TUBE FRAME
- 7GA (.179") STEEL SUPPORT PAN

FINISH SPECIFICATIONS:

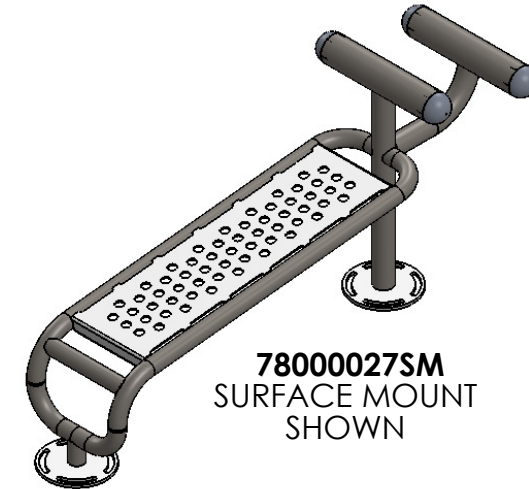
- RUST PREVENTATIVE PRIMER COATING
- SUPER DURABLE POLYESTER POWDER TOP COAT

HARDWARE:

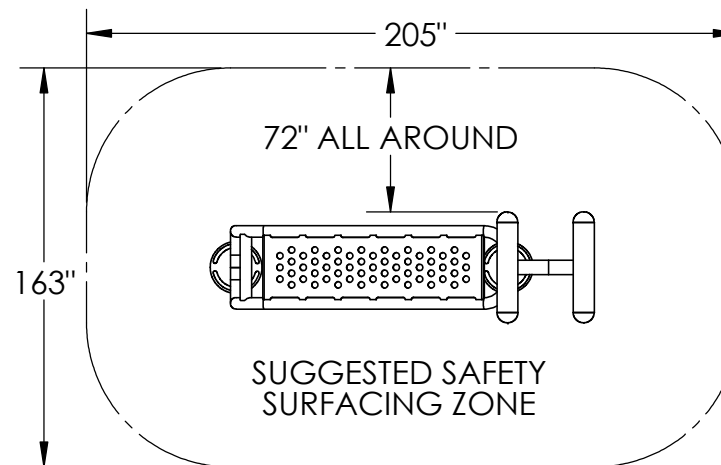
- STAINLESS STEEL, SECURITY DRIVE (6 LOBE, CENTRE PINNED)
- SURFACE MOUNT ANCHORING HARDWARE NOT INCLUDED

NOTES:

- ANCHORING HARDWARE 'TYPES' ARE SUGGESTED FOR A TYPICAL CONCRETE PAD FULLY CURED & MINIMUM 3-1/2" THICK.
- **SURFACE MOUNT SUGGESTED HARDWARE:**
 - Ø7/16" TO Ø1/2" X 3" LONG EXPANDING WEDGE BOLTS & WASHERS (8 REQUIRED, MINIMUM, 16 MAXIMUM)
- ACTUAL APPARATUS SHOULD BE USED AS A TEMPLATE TO LOCATE ANCHOR HOLES.



78000027SM
 SURFACE MOUNT
 SHOWN



Product Specifications

PARIS

Site Furnishings • Outdoor Fitness

Description: **FITNESS, DOUBLE SIT-UP BOARD, INGROUND**

Part #/Model #: **78000006 (INGROUND) / 78000006SM (SURFACE MOUNT)**



259 Third concession Rd, PO Box 490

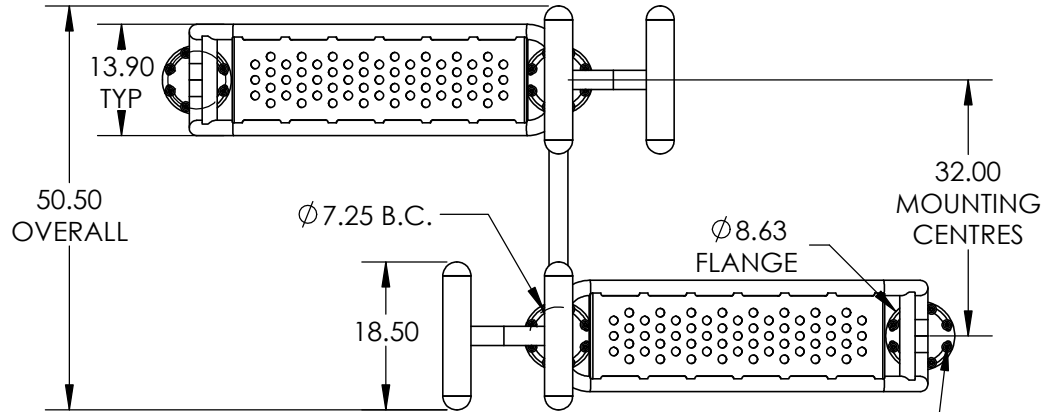
Princeton, ON, N0J 1V0

Toll-free: 1-800-387-6318

Phone: (519) 458-4882

Fax: (519) 458-8087

www.peml.com



INGROUND MOUNT SUPPLIED WITH
1/2-13x1-1/2" BUTTON HEAD SECURITY
BOLTS & WASHERS (8 PER POST)

MATERIALS SPECIFICATIONS:

- Ø1.90, Ø2.38 & Ø3.50 STEEL TUBE FRAME
- 7GA (.179") STEEL SUPPORT PAN

FINISH SPECIFICATIONS:

- RUST PREVENTATIVE PRIMER COATING
- SUPER DURABLE POLYESTER POWDER TOP COAT

HARDWARE:

- STAINLESS STEEL, SECURITY DRIVE (6 LOBE, CENTRE PINNED)

