



259 Third Concession Rd, PO Box 490

Princeton, ON N0J 1V0

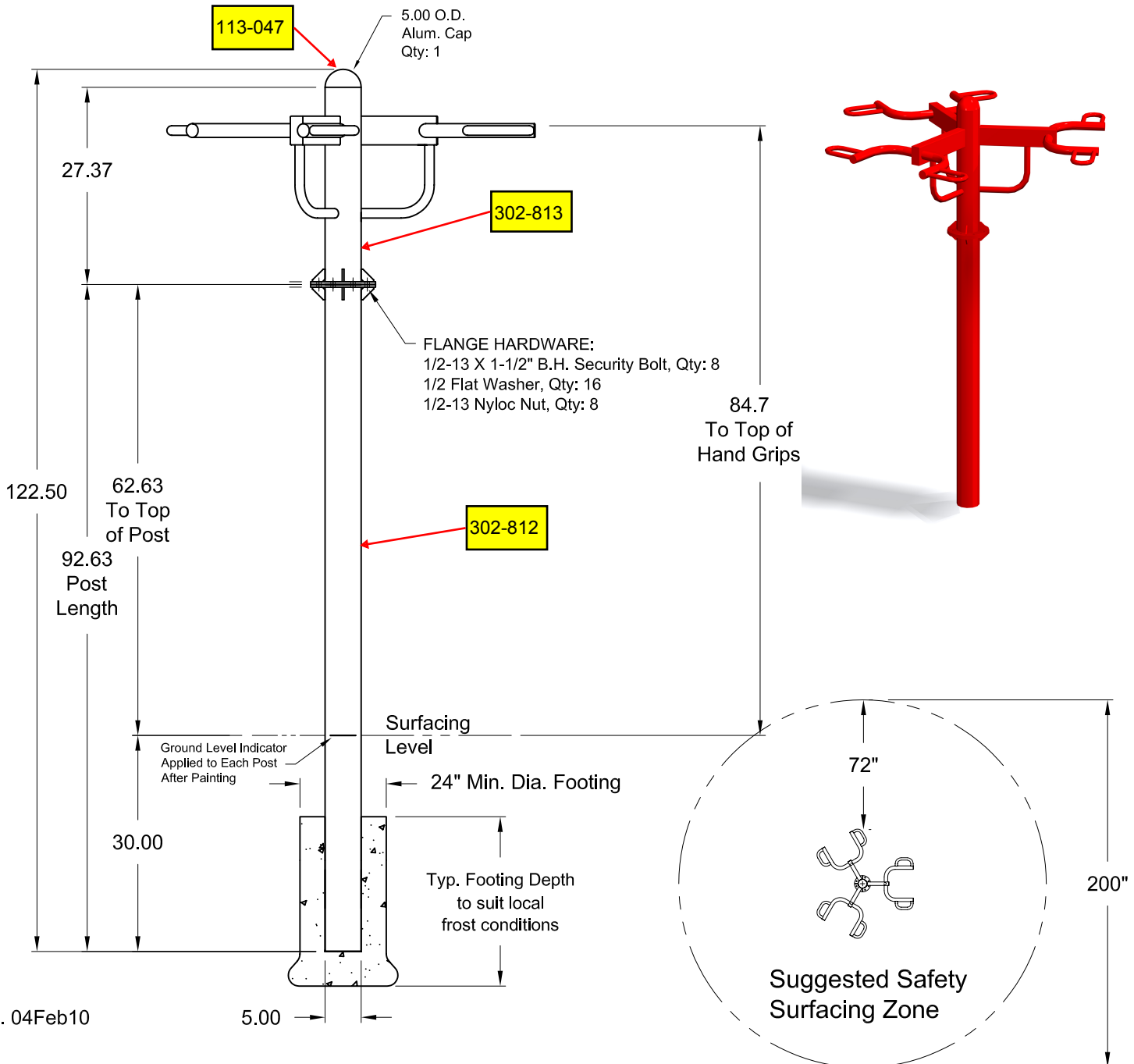
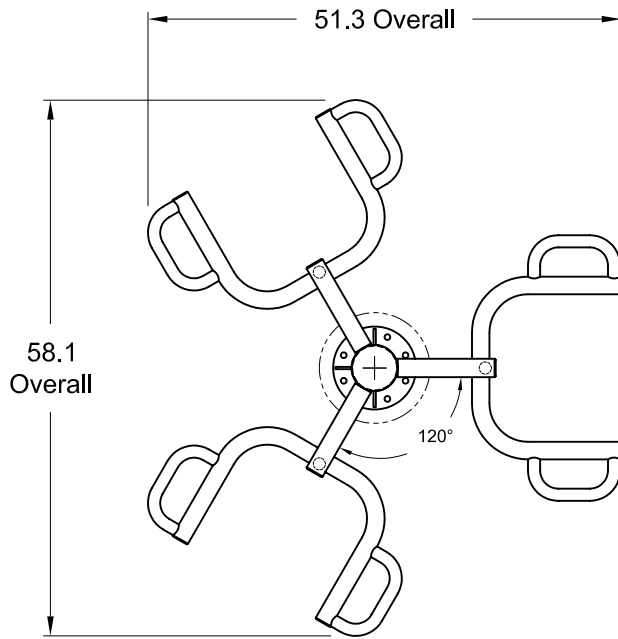
Toll Free: 1-800-387-6318

Phone: (519) 458-4882

Fax: (519) 458-8087

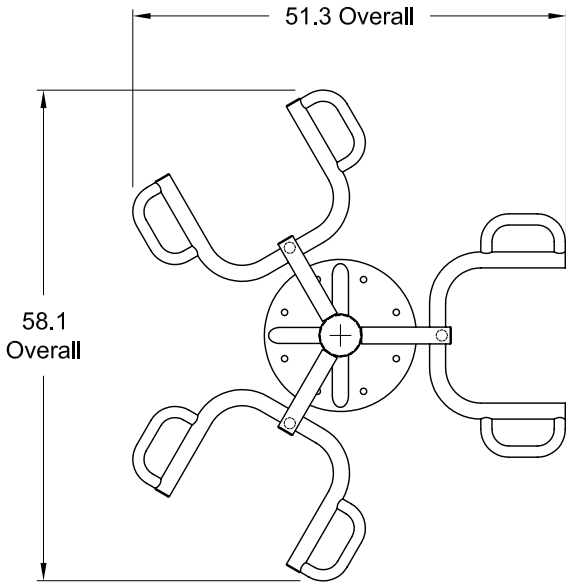
www.peml.com

## Pull-Up Pole Specifications and Installation Instructions 78000032

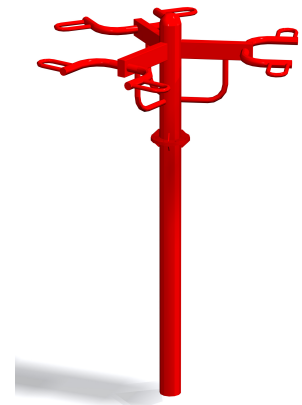
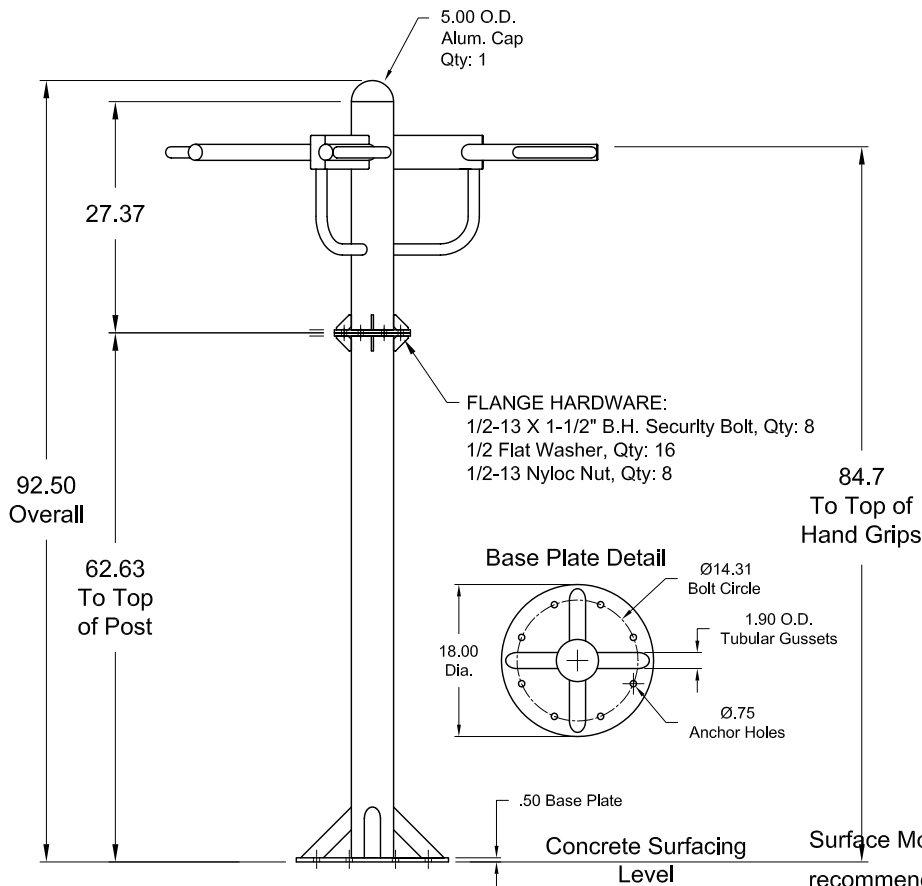




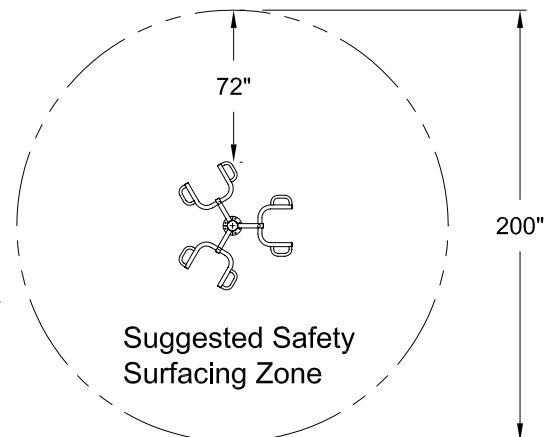
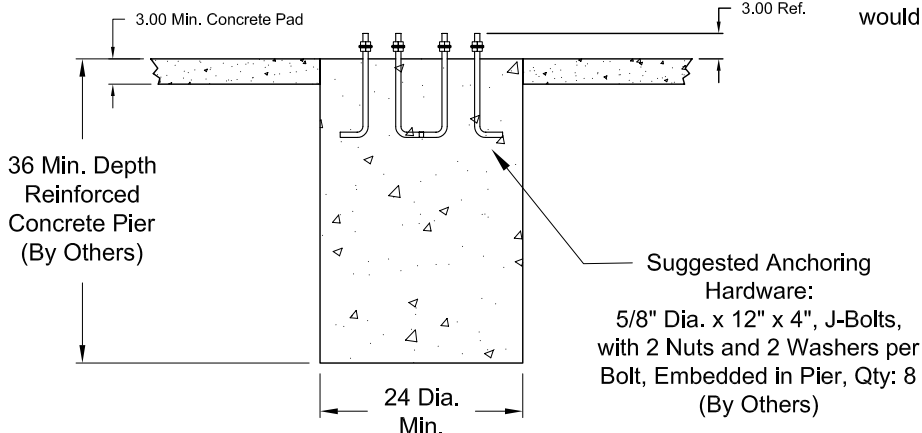
259 Third Concession Rd, PO Box 490  
 Princeton ON N0J 1V0  
 Toll Free: 1-800-387-6318  
 Phone: (519) 458-4882  
 Fax: (519) 458-8087  
 www.peml.com



## Pull-Up Pole, Surface Mount Specifications and Installation Instructions **78000032SM**



Surface Mounting of this item on a concrete pad is not recommended. A reinforced concrete pier as shown below would be required for safety and structural stability.



Notes:  
 Dimensions shown are in inches.  
 Specifications are subject to change.