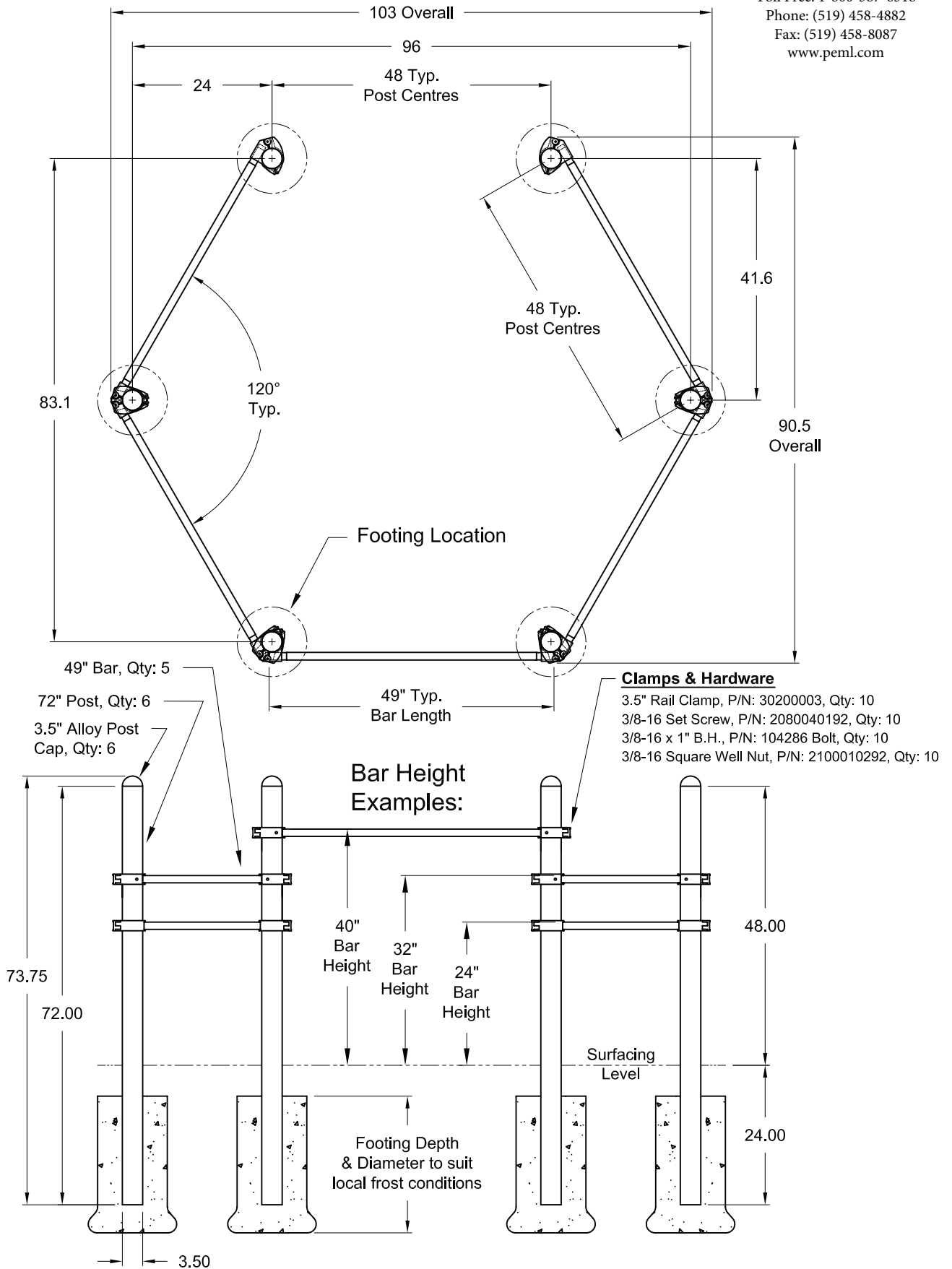


# Specifications & Installation Instructions

## 78000033 - Multi Bars Inground Mount

259 Third Concession Rd, PO Box 490  
Princeton, On N0J 1V0  
Toll Free: 1-800-387-6318  
Phone: (519) 458-4882  
Fax: (519) 458-8087  
www.peml.com



# PRODUCT SPECIFICATIONS

DESCRIPTION: MULTI BARS SURFACE MOUNT

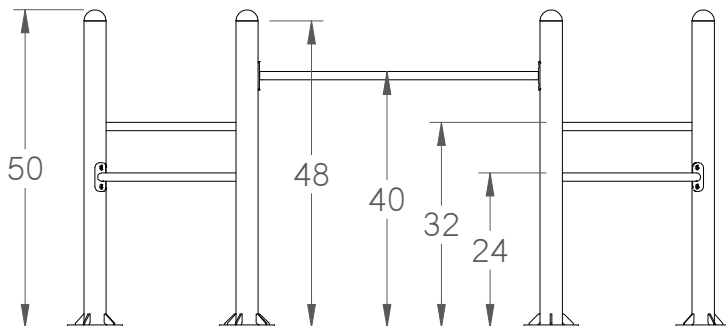
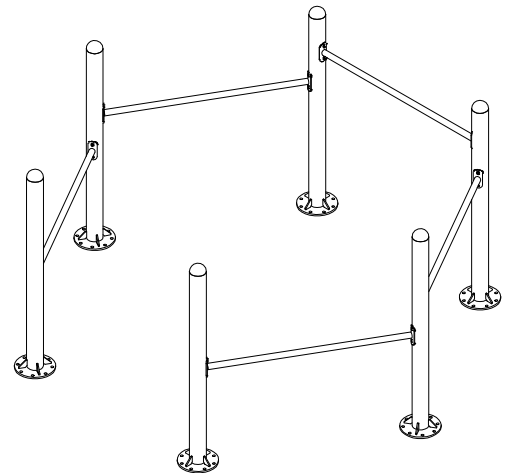
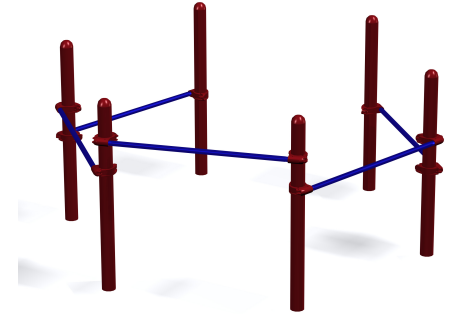
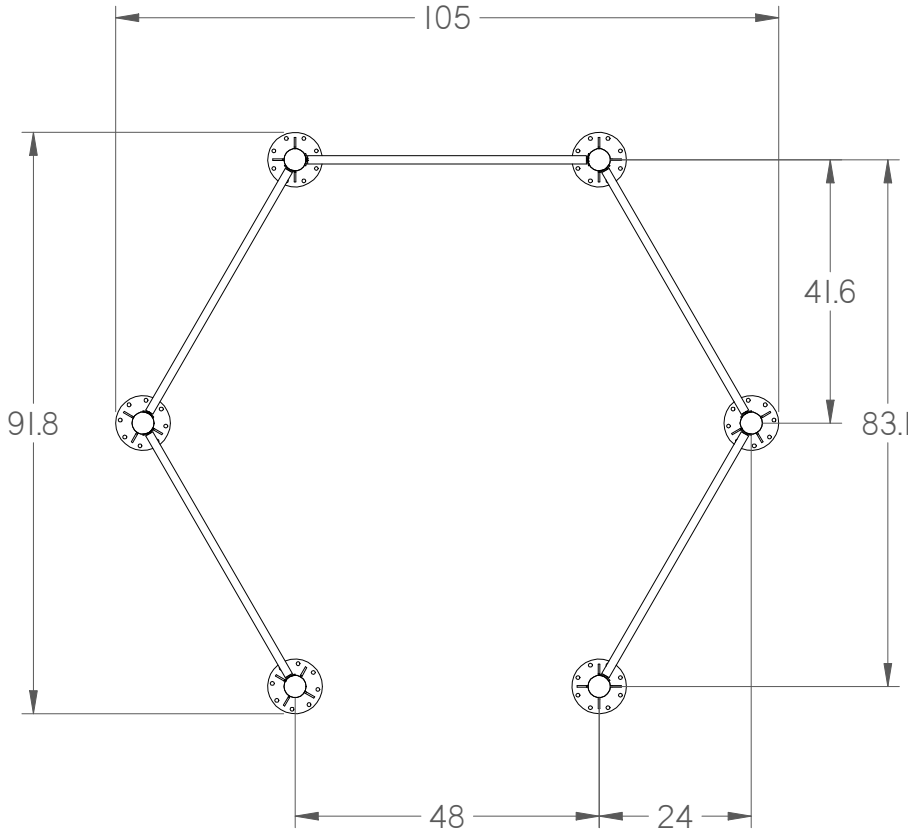
MODEL #: 78000033SM

# PARIS

Site Furnishings • Outdoor Fitness



259 Third Concession Rd, PO Box 490  
Princeton, ON, N0J 1V0  
Toll-Free: 1-800-387-6318  
Phone: (519) 458-4882  
Fax: (519) 458-8087  
www.peml.com



#### MATERIAL:

- $\varnothing$  3.5" HSS TUBING
- $\varnothing$  1.315" HSS TUBING
- 7 GAUGE MILD STEEL
- 1/8" MILD STEEL
- 3/8" MILD STEEL

#### FINISH:

ELECTROSTATICALLY APPLIED  
POLYESTER POWDER COAT

#### HARDWARE

VANDAL RESISTANT 3/8"  
STAINLESS STEEL

REVISION: A

DATE: 9/20/2016

Property of Paris Site Furnishings & Outdoor Fitness