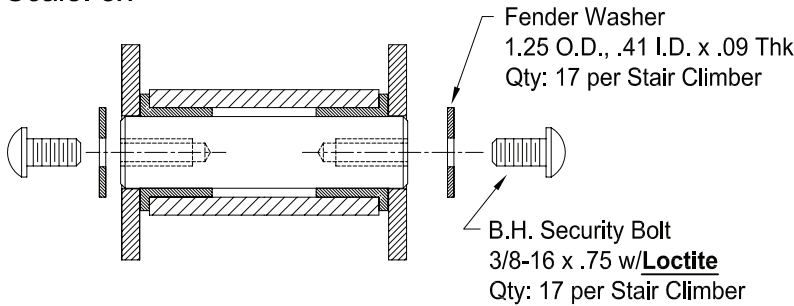


Typical Pivot Point Assembly

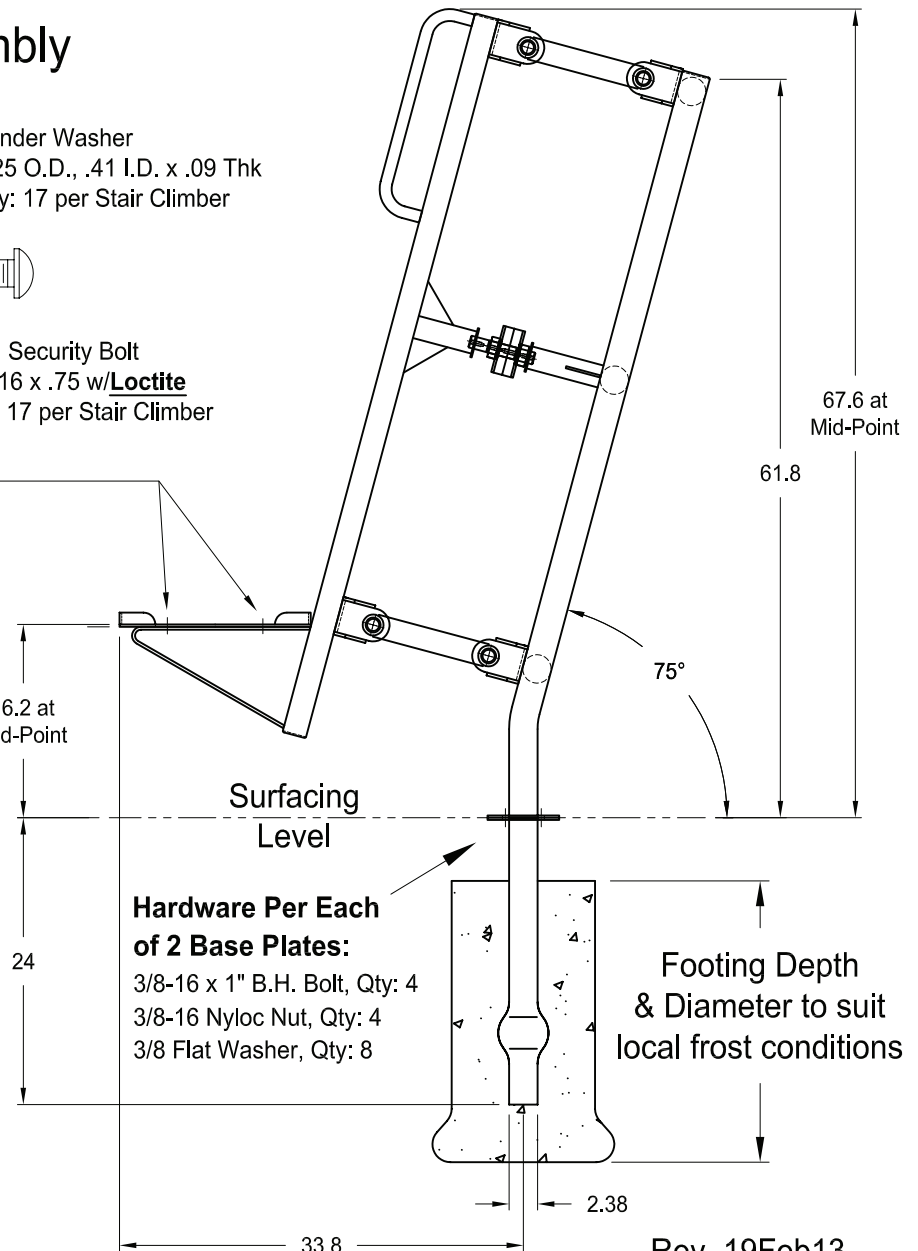
Scale: 5x



Hardware for Each of 4 Foot Plates:

- B.H. Bolt, 5/16-18 x 7/8", Qty: 2
- Washer, Flat, 5/16, Qty: 4
- Nut, Nyloc, 5/16, Qty: 2

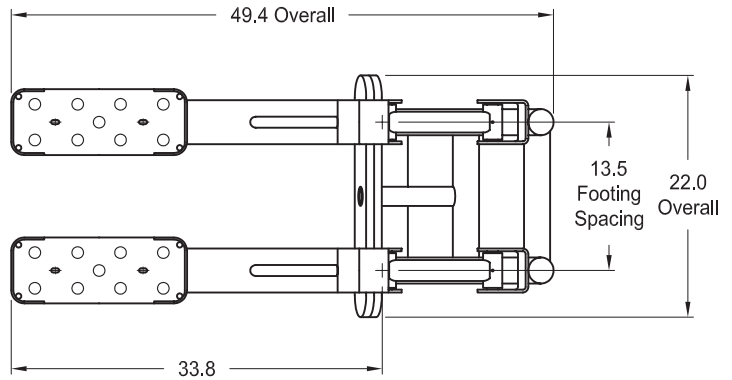
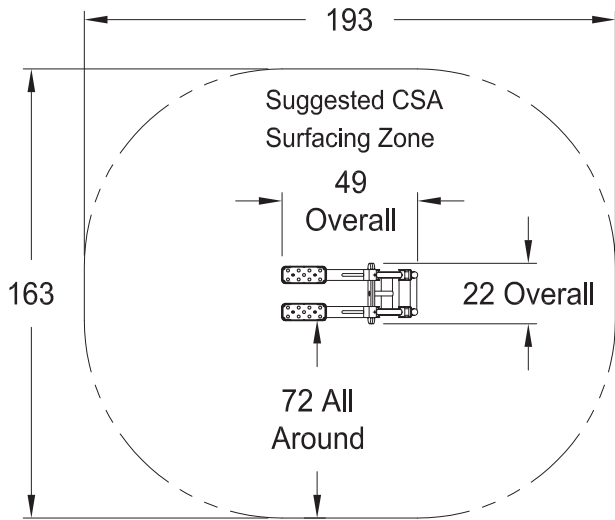
Note: Completely assemble unit prior to pouring concrete footings.
 Dimensions shown in inches.



Assembly and Installation Instructions

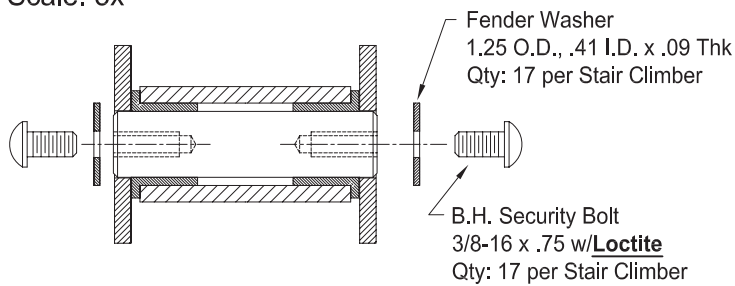
Stair Climber Inground
 Model# 78000039

- ### Hardware Per Each of 2 Base Plates:
- 3/8-16 x 1" B.H. Bolt, Qty: 4
 - 3/8-16 Nyloc Nut, Qty: 4
 - 3/8 Flat Washer, Qty: 8

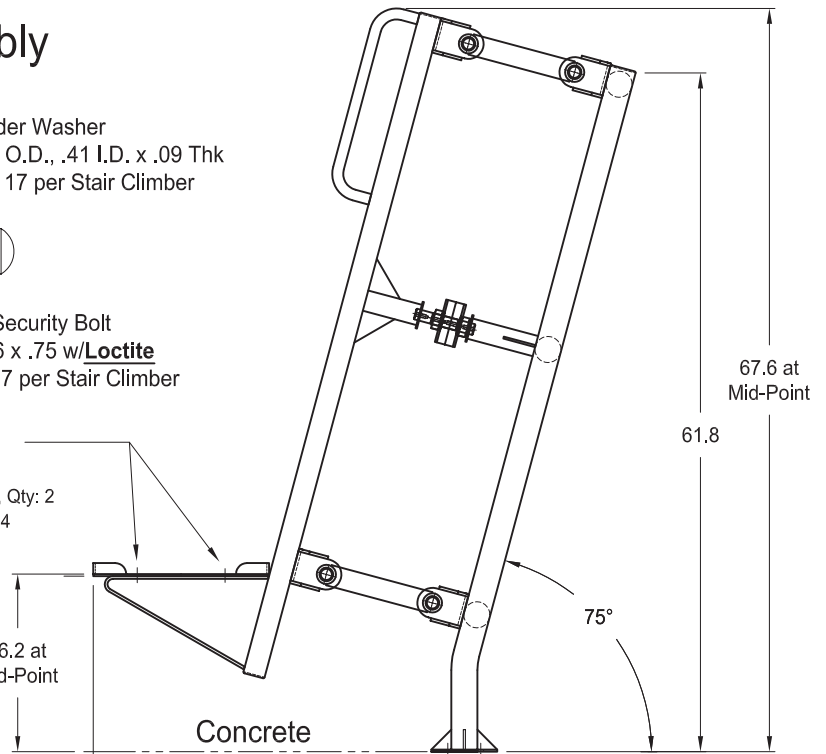


Typical Pivot Point Assembly

Scale: 5x



Hardware for Each of 4 Foot Plates:
 B.H. Bolt, 5/16-18 x 7/8", Qty: 2
 Washer, Flat, 5/16, Qty: 4
 Nut, Nyloc, 5/16, Qty: 2



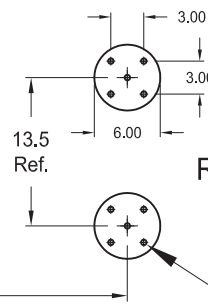
Stair Climber, Surface Mount Specification & Installation Instructions 78000039SM

Note: Anchoring hardware is not included as it is impossible to foresee all possible mounting surface conditions. Therefore, anchoring hardware "Types" only are suggested for a typical concrete pad. The concrete should be fully cured and a minimum of 3-1/2 inches thick to properly anchor this product.

Dimensions shown are in inches.

POF reserves the right to make continuous product developments. As a result, details are subject to change.

Concrete Surfacing Level



Anchor Bolt Reference Locations

Suggested Anchoring Hardware:

7/16" to 1/2" diameter x 3" long, expanding wedge bolts, 8 required.

Note: The actual Stair Climber assembly should be used as a template to accurately locate the anchor holes.