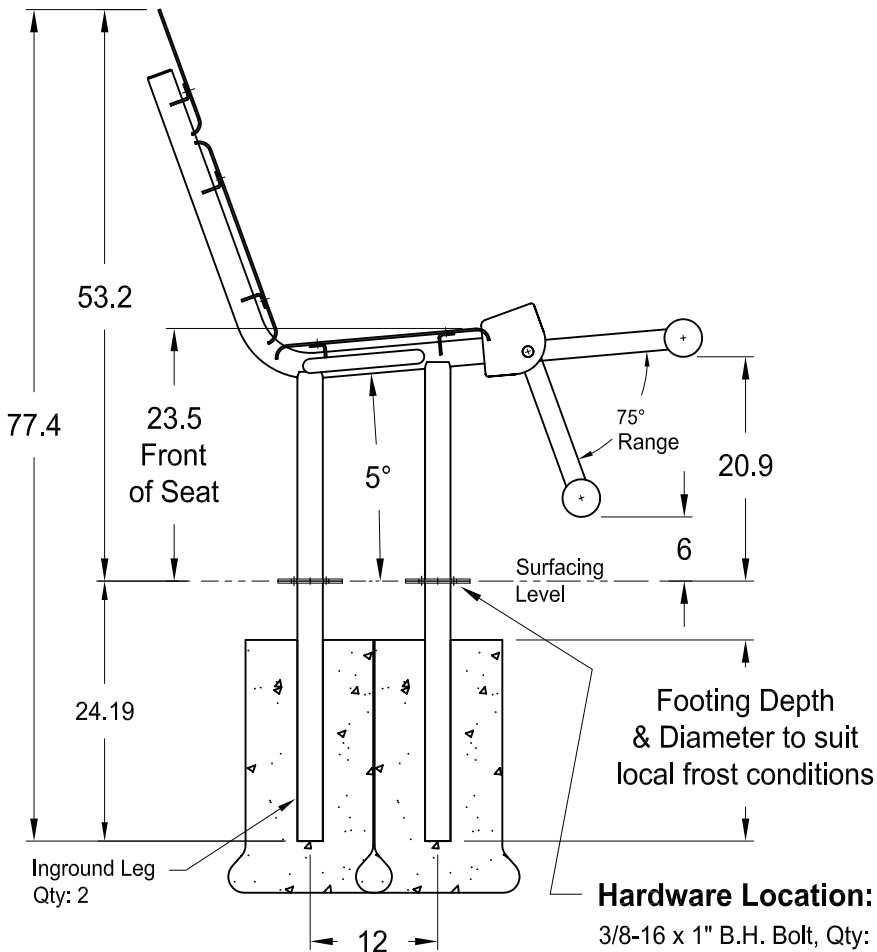
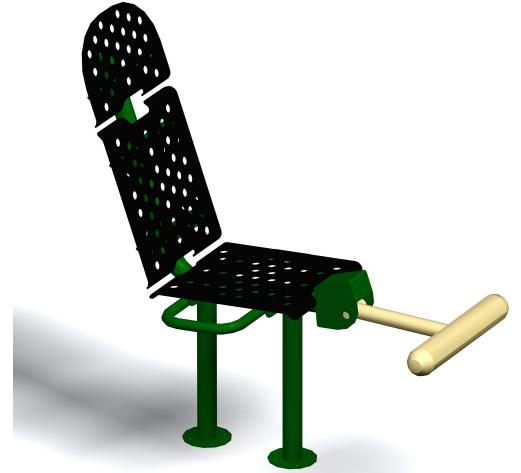
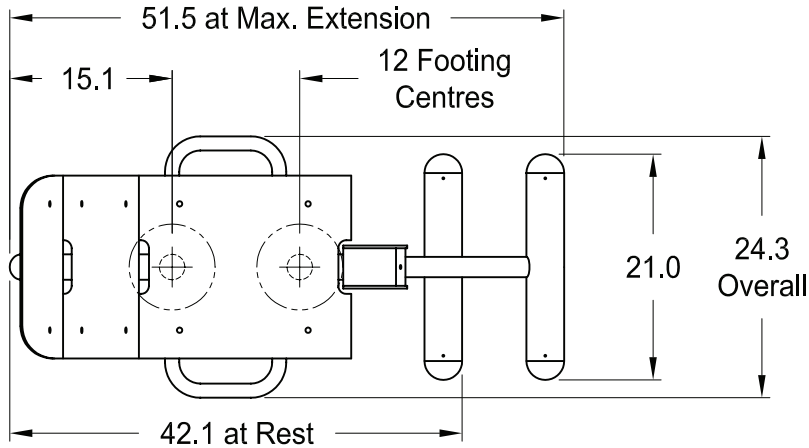


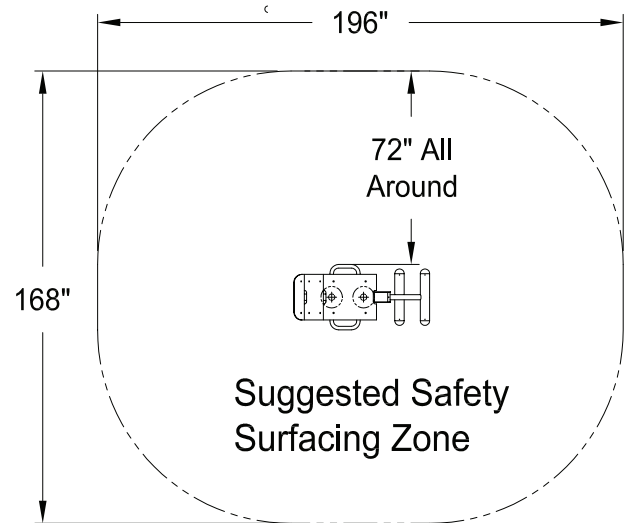


259 Third Concession Rd, PO Box 490
 Princeton, ON N0J 1V0
 Toll Free: 1-800-387-6318
 Phone: (519) 458-4882
 Fax: (519) 458-8087
 www.peml.com

Installation Instructions & Specifications 78000013 Leg Extension 1-Person



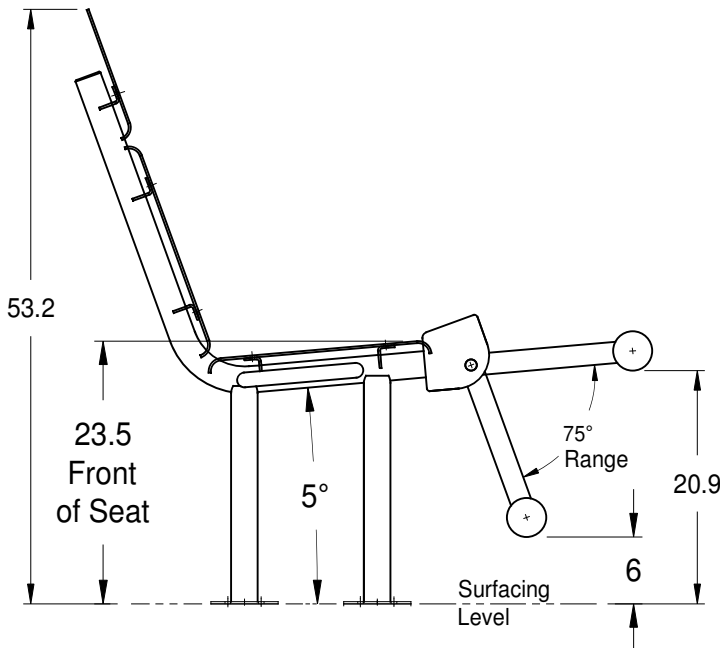
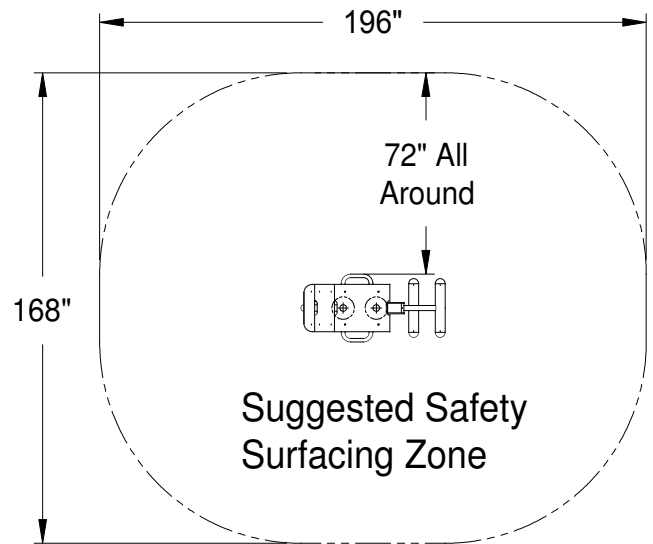
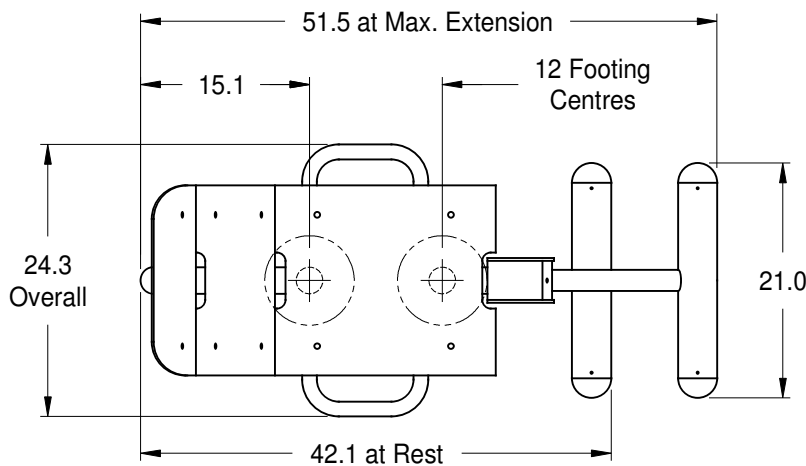
Hardware Location:
 3/8-16 x 1" B.H. Bolt, Qty: 8
 3/8-16 Nyloc Nut, Qty: 8
 3/8 Flat Washer, Qty: 16



Note: Completely assemble unit prior to pouring concrete footings. Dimensions shown in inches.

259 Third Concession Rd, PO Box 490
 Princeton, ON N0J 1V0
 Toll Free: 1-800-387-6318
 Phone: (519) 458-4882
 Fax: (519) 458-8087
 www.peml.com

Leg Extension, 1-Person Surface Mount Specifications & Installation Instructions **78000013SM**



Finish: Polyester Powder Top Coat over In-Line Galvanized Tube or E-Coated Substrate.

Hardware: Tamper Resistant Stainless Steel

Materials:

- 11 Ga. Steel Plate
- 7 Ga. Steel Plate
- 1.32" O.D. x .109" Wall Steel Tube
- 1.90" O.D. x .095" Wall Steel Tube
- 2.38" O.D. x .120" Wall Steel Tube
- 3.5" O.D. x .095" Wall Steel Tube
- 1" O.D. Cold Rolled Steel Pivot Pins
- Self-Lubricating Solid Metal Bearings
- Aluminum End Caps

Notes:

Anchoring Hardware not included

Note: Completely assemble unit prior to pouring concrete footings.
 Dimensions shown in inches.

Rev. 28Aug15