

Note: Completely assemble unit prior to pouring concrete footings. Dimensions shown in inches.

PARIS

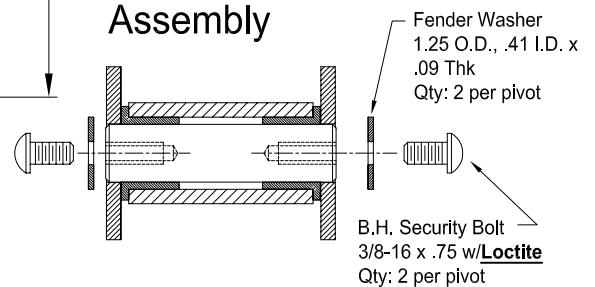
Site Furnishings • Outdoor Fitness



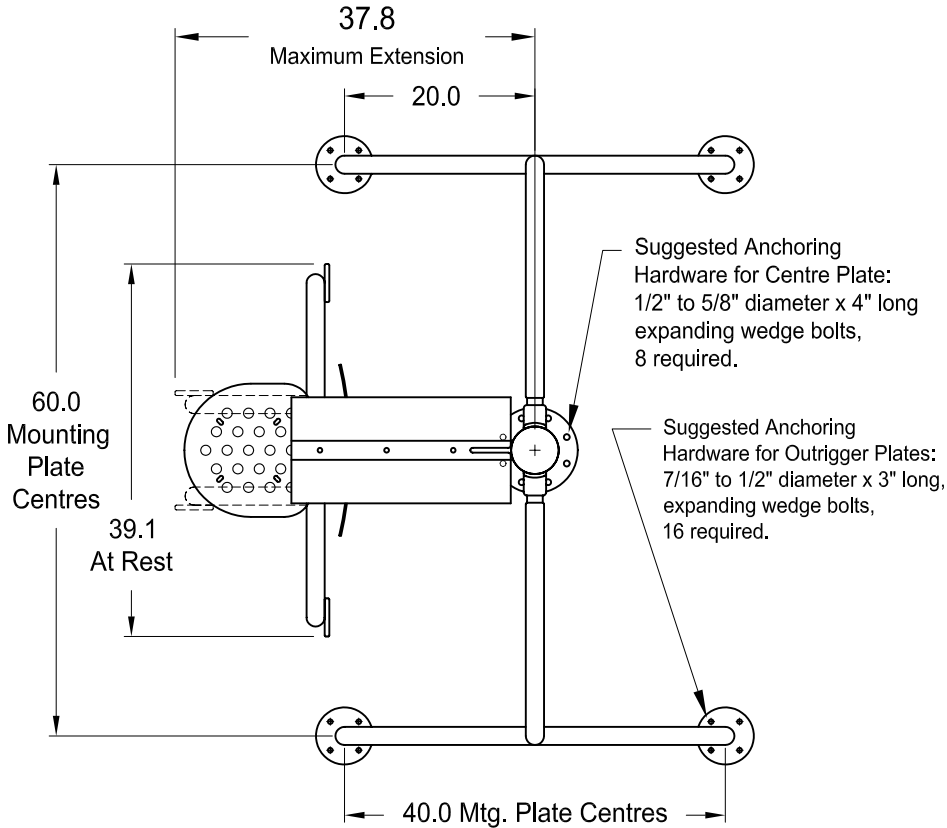
259 Third Concession Rd, PO Box 490
Princeton, ON N0J 1V0
Toll Free: 1-800-387-6318
Phone: (519) 458-4882
Fax: (519) 458-8087
www.peml.com

Installation Specifications 78000016 Butterfly Machine

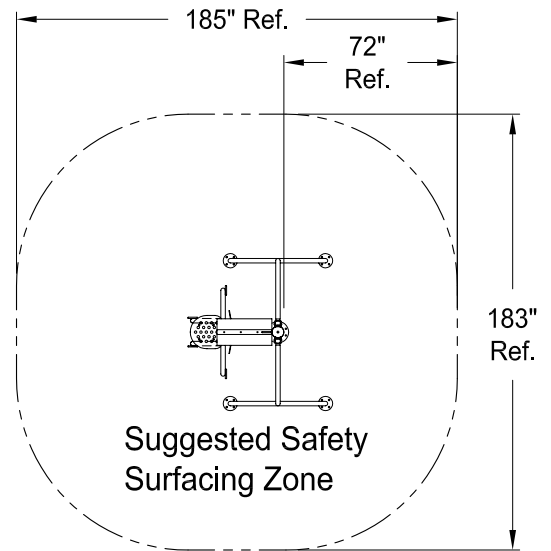
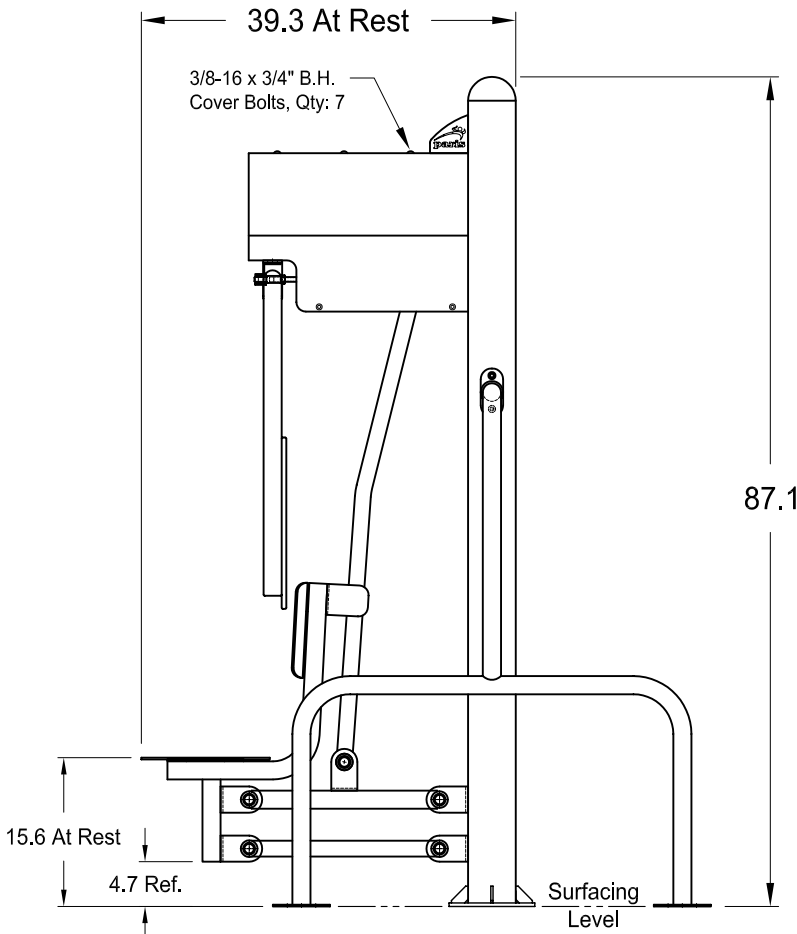
Typical Pivot Point Assembly



259 Third Concession Rd, PO Box 490
Princeton, ON N0J 1V0
Toll Free: 1-800-387-6318
Phone: (519) 458-4882
Fax: (519) 458-8087
www.peml.com



Butterfly Machine Specifications & Installation Instructions Surface Mount 78000016SM



Note: Anchoring is not included as it is impossible to foresee all possible mounting surface conditions. Therefore, anchoring hardware "Types" only are suggested for a typical concrete pad. The concrete should be fully cured and 4 to 6 inches thick.