

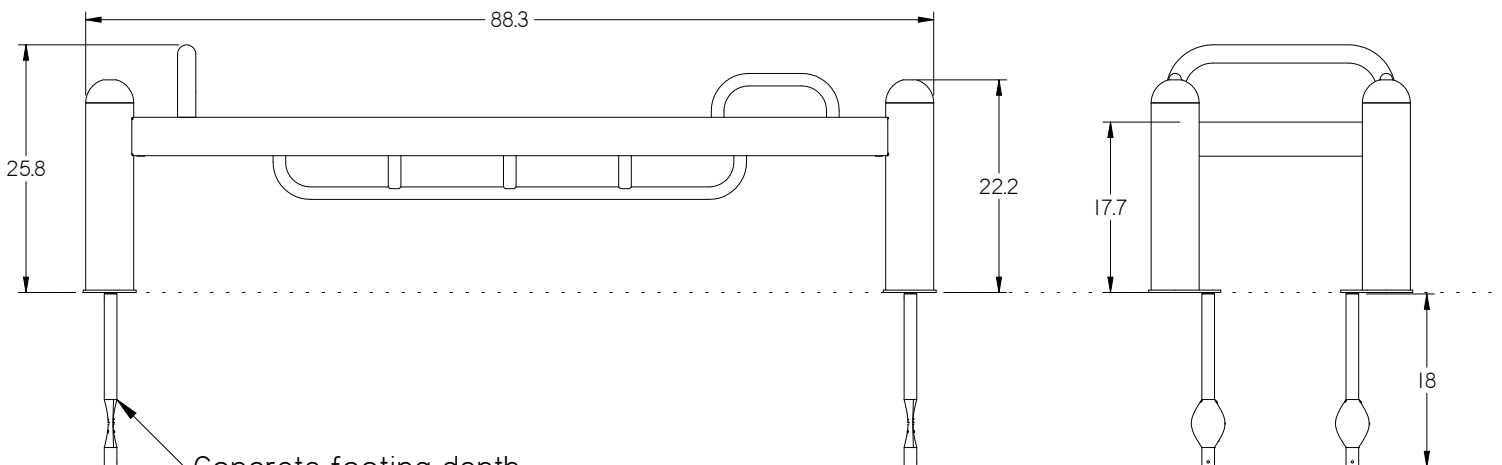
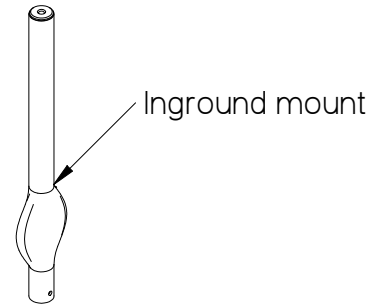
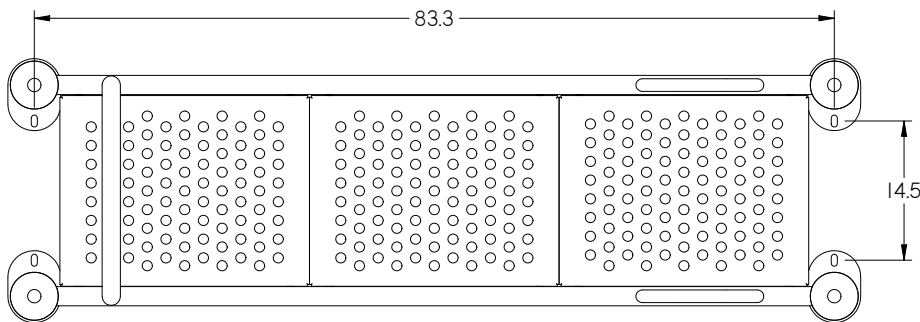
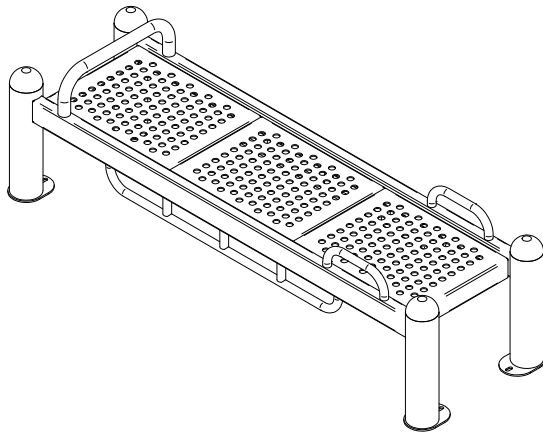
# PARIS

Site Furnishings • Outdoor Fitness



259 Third Concession Rd, PO Box 490  
Princeton, On N0J 1V0  
Toll Free: 1-800-387-6318  
Phone: (519) 458-4882  
Fax: (519) 458-8087  
www.peml.com

## Specifications and Installation Instructions 78000005 - Combo Sit-Up and Push-Up Bench



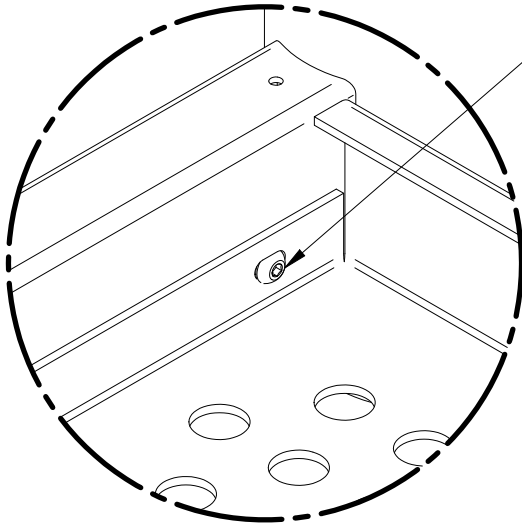
Concrete footing depth  
& diameter to suit local  
frost conditions

# PARIS

Site Furnishings • Outdoor Fitness

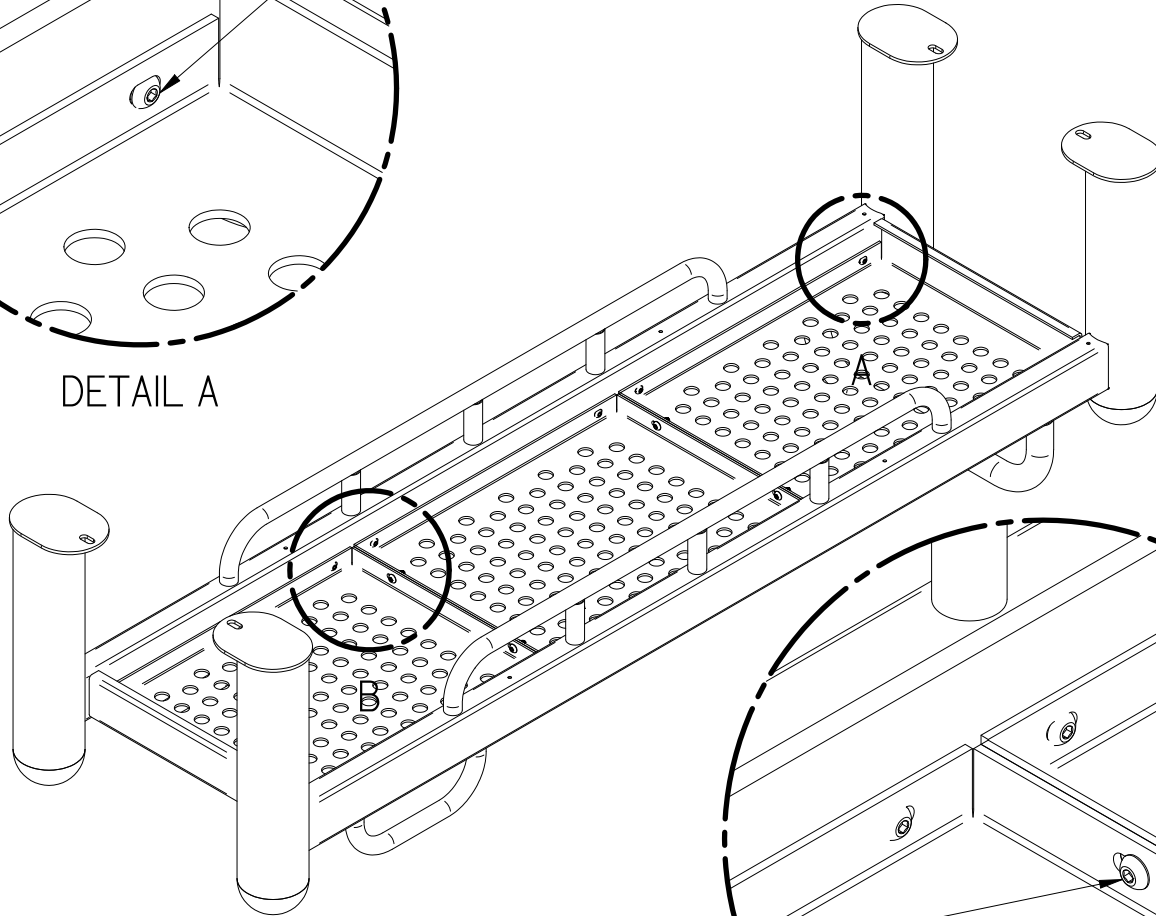


259 Third Concession Rd, PO Box 490  
Princeton, On N0J 1V0  
Toll Free: 1-800-387-6318  
Phone: (519) 458-4882  
Fax: (519) 458-8087  
www.peml.com

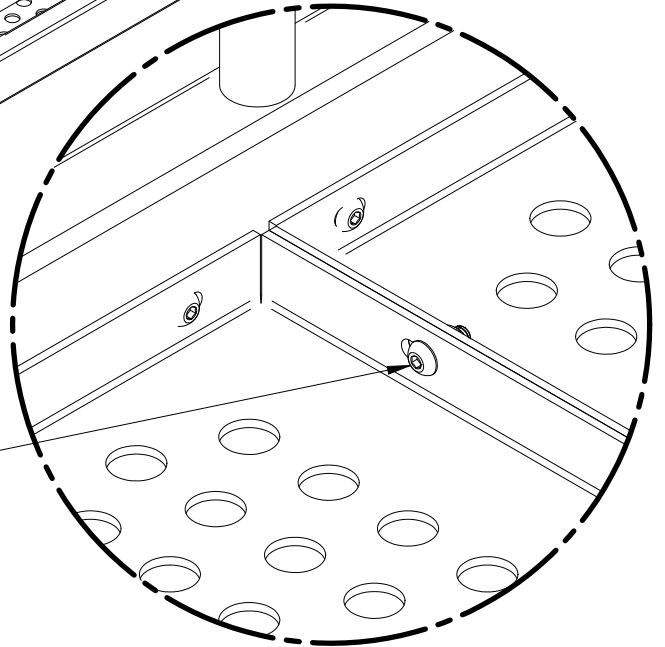


3/8-16 x 3/4  
Button Head Cap screws  
(12 places)

DETAIL A



3/8-16 x 1.00 Button Head Cap screws  
3/8 Plate Washer  
3/8-16 Nylock nut  
(4 places)



DETAIL B

## FITNESS,COMBO,SIT-UP/PUSH-UP INSTALLATION INSTRUCTIONS