

# Installation Instructions & Specification

## 2 Person Single Post Pendulum

### 78000041



259 Third Concession Rd, PO Box 490

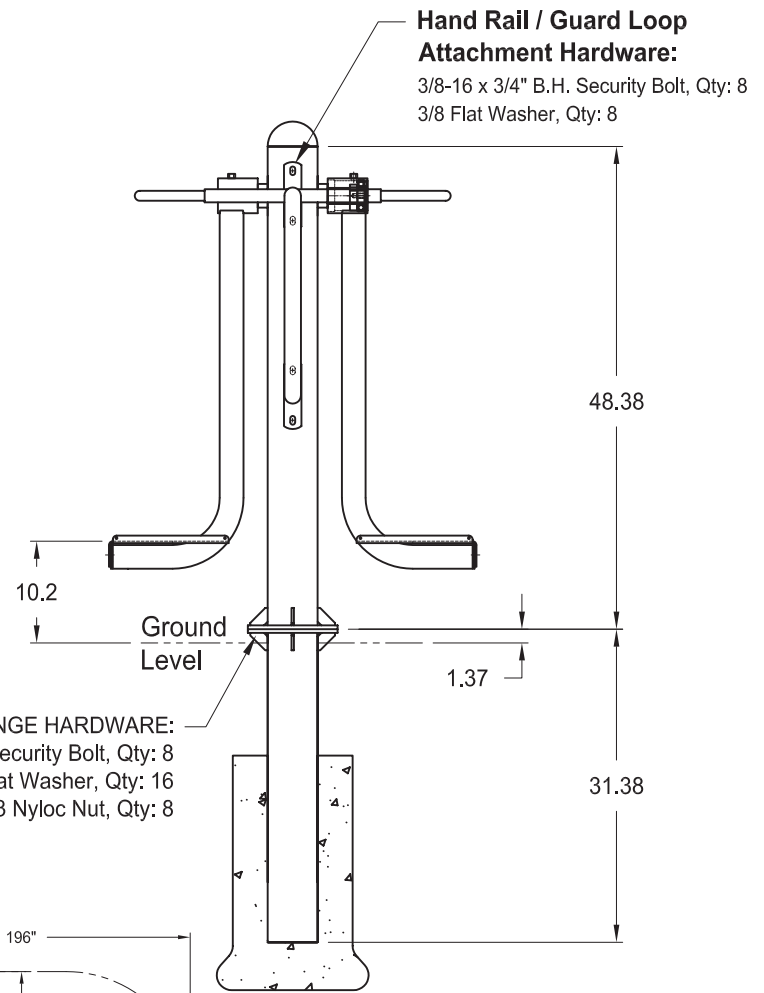
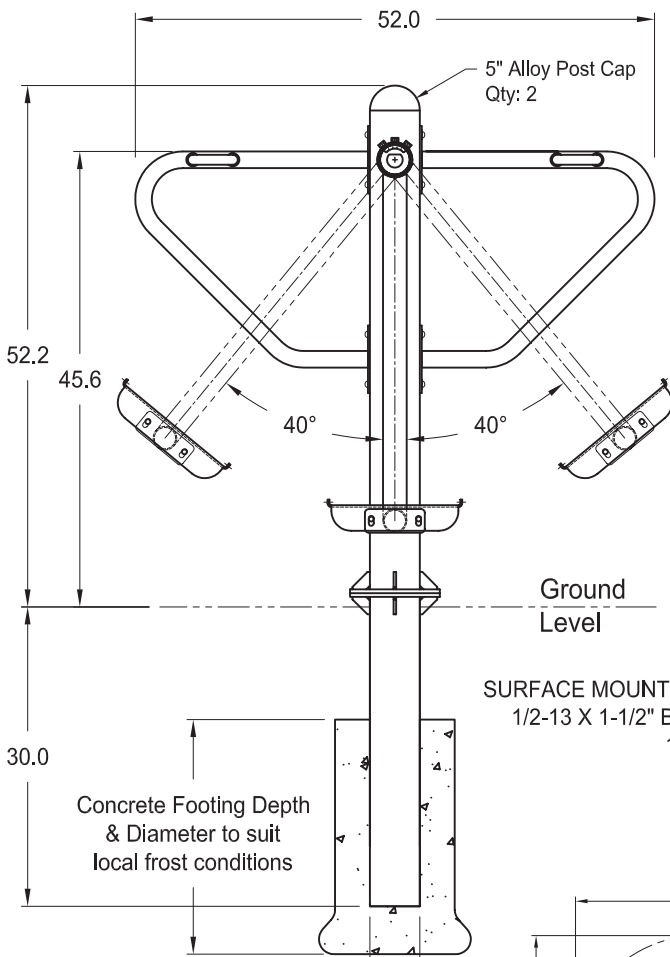
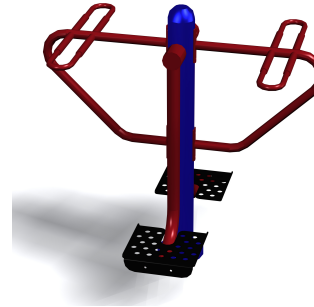
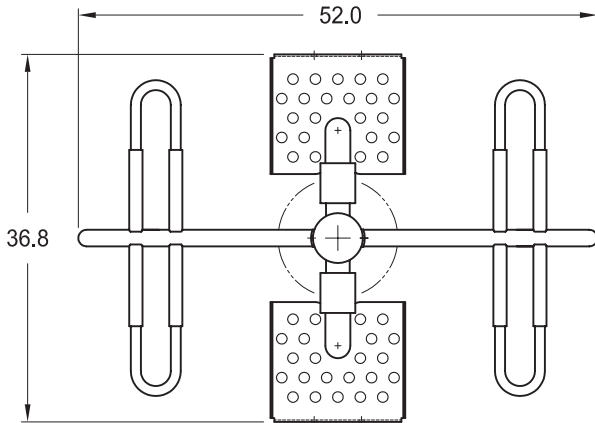
Princeton On, NJ 1V0

Toll Free: 1-800-387-6318

Phone: (519) 458-4882

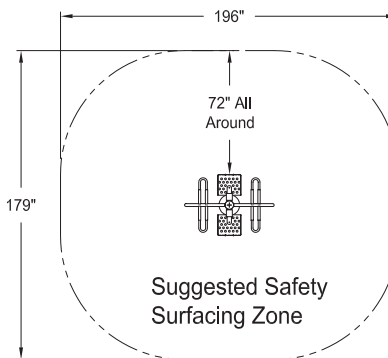
Fax: (519) 458-8087

www.peml.com



Note: Completely assemble unit prior to pouring concrete footings.

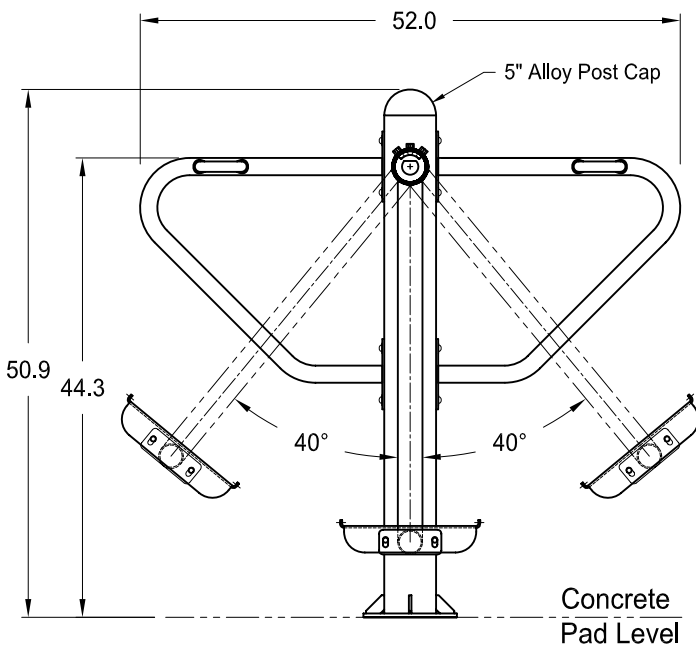
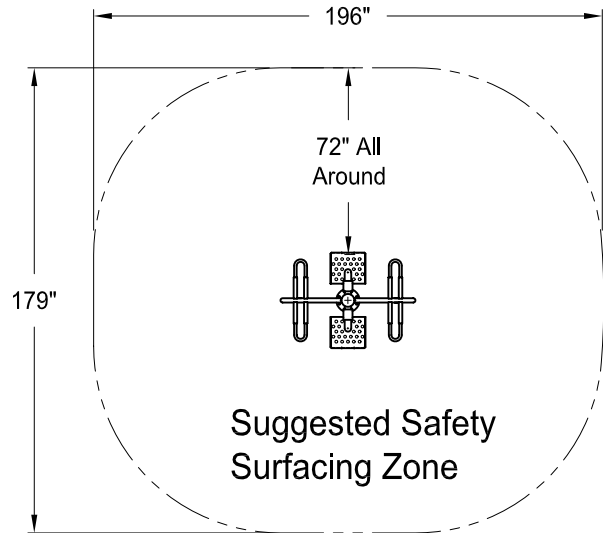
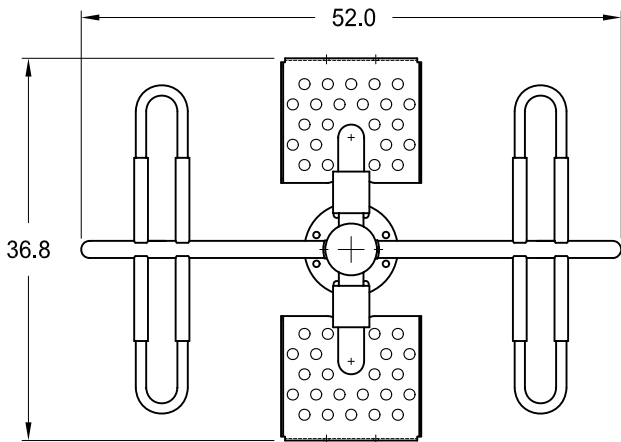
Dimensions shown are in inches.



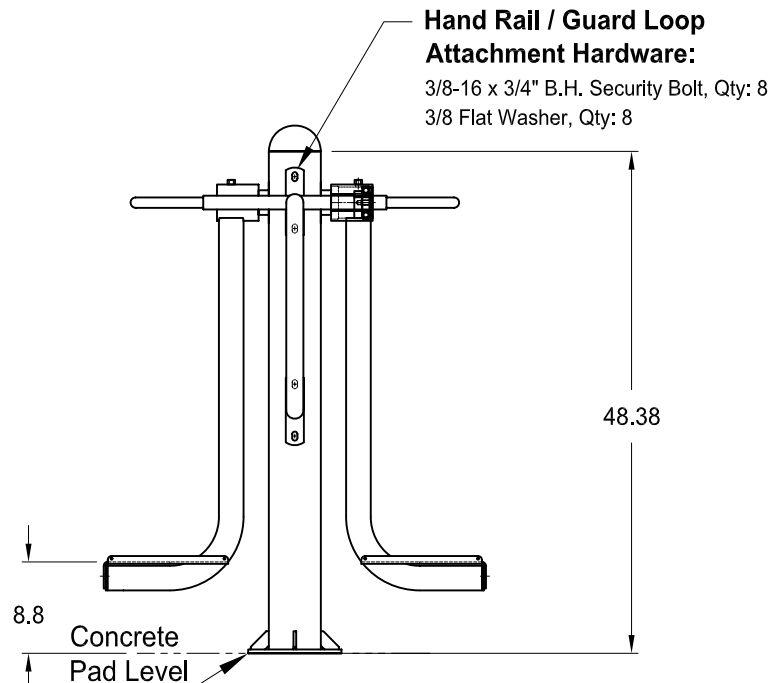


259 Third Concession Rd, PO Box 490  
 Princeton, ON N0J1V0  
 Toll Free: 1-800-387-6318  
 Phone: (519) 458-4882  
 Fax: (519) 458-8087  
 www.peml.com

## 2- Person, Single Post Pendulum, Surface Mount Specifications & Installation Instructions 78000041SM



Dimensions shown are in inches.



Suggested Anchoring Hardware for Mounting Plate:  
 1/2" to 5/8" diameter x 4" long expanding  
 wedge bolts, 8 required.

Note: Anchoring is not included as it is impossible to foresee all possible mounting surface conditions. Therefore, anchoring hardware "Types" only are suggested for a typical concrete pad. The concrete should be fully cured and 4 to 6 inches thick.