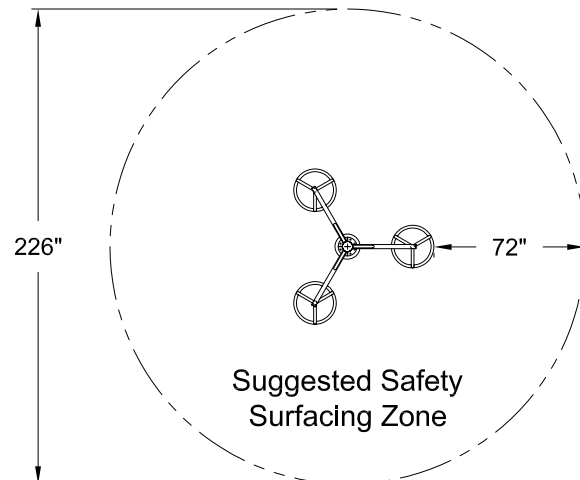
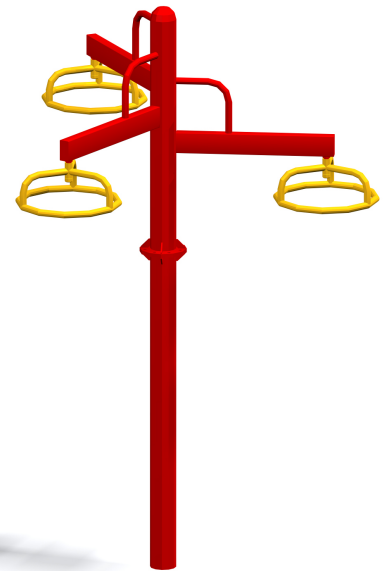
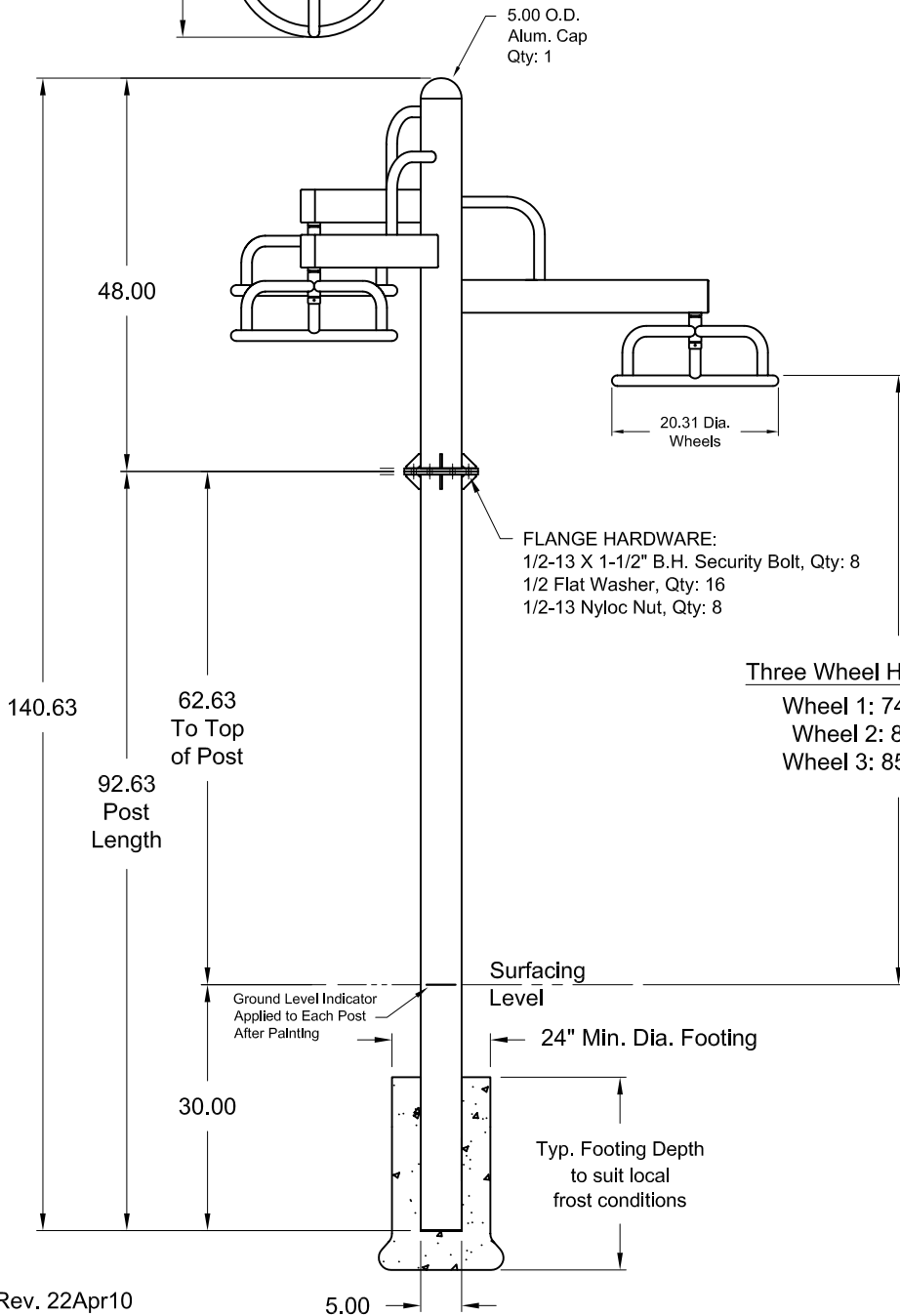
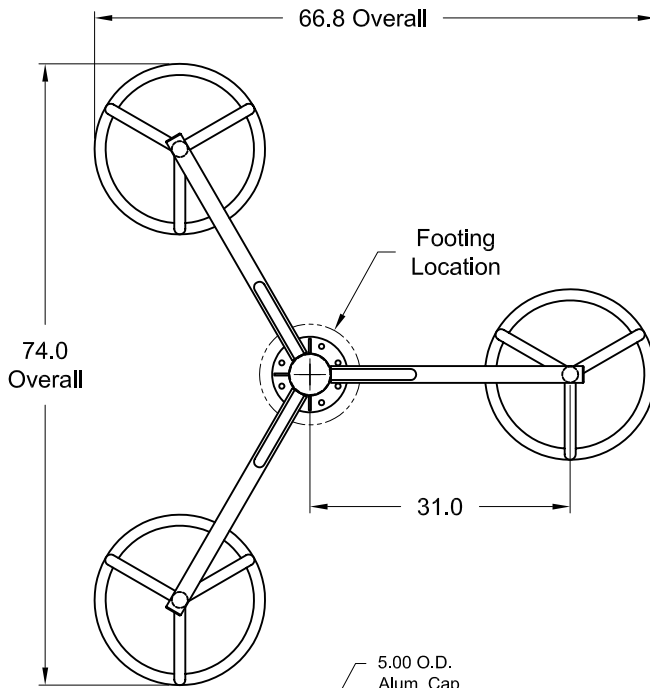




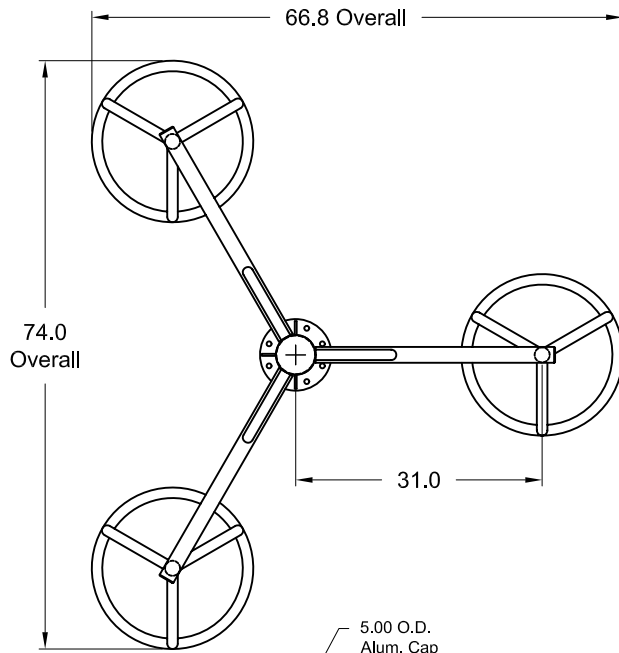
259 Third Concession Rd, PO Box 490
 Princeton, ON N0J 1V0
 Toll Free: 1-800-387-6318
 Phone: (519) 458-4882
 Fax: (519) 458-8087
 www.peml.com

Hanging Rotator, 3-Person **Specifications and Installation** **Instructions** **78000075**





259 Third Concession Rd, PO Box 490
 Princeton, ON N0J 1V0
 Toll Free: 1-800-387-6318
 Phone: (519) 458-4882
 Fax: (519) 458-8087
 www.peml.com

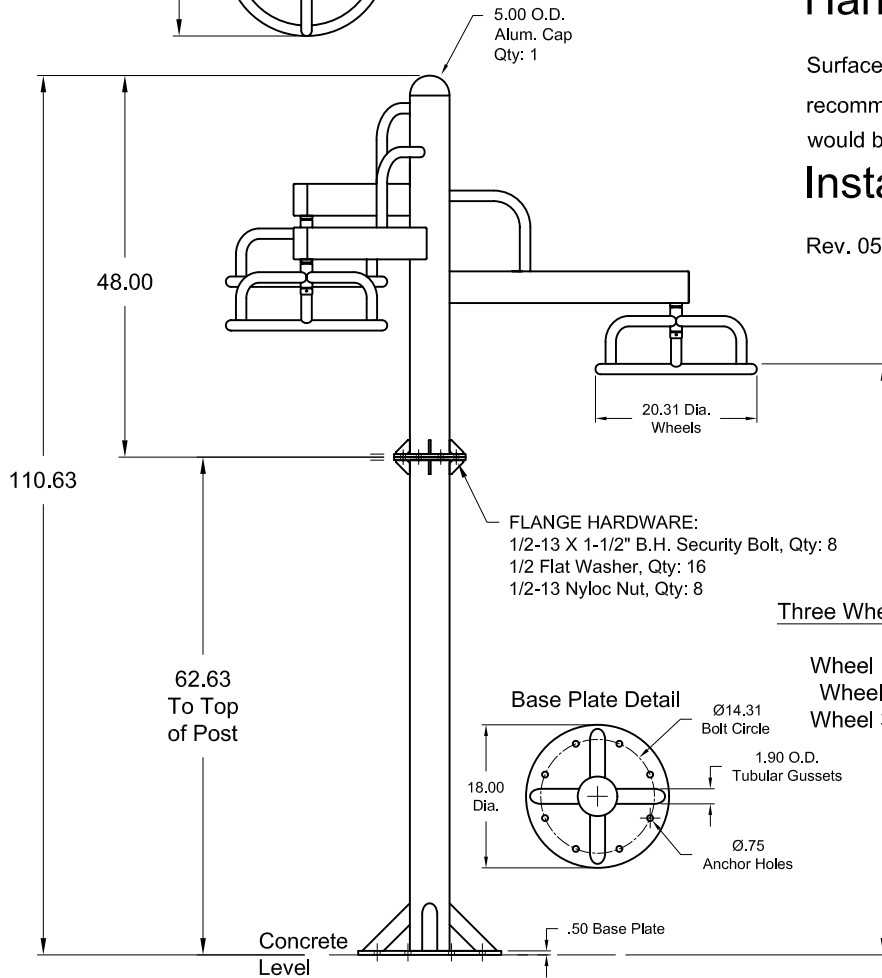


78000075SM (Custom) Hanging Rotator 3-Person

Surface Mounting of this item on a concrete pad is not recommended. A reinforced concrete pier as shown below would be required for safety and structural stability.

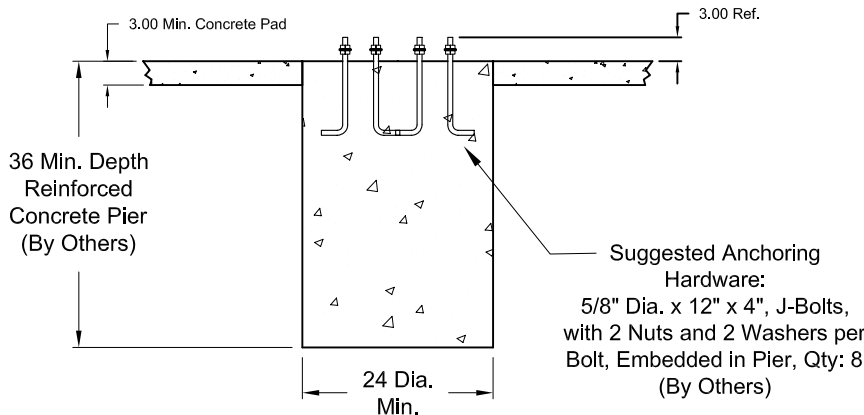
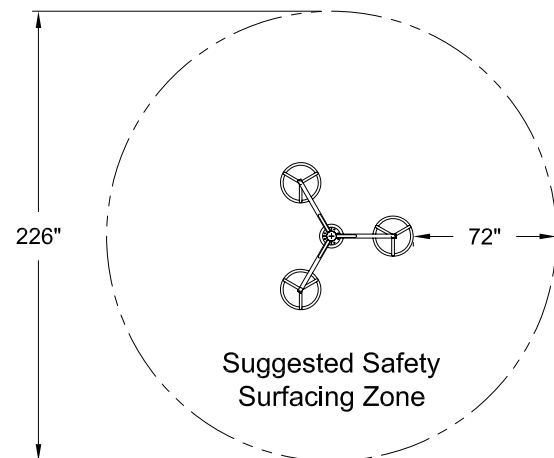
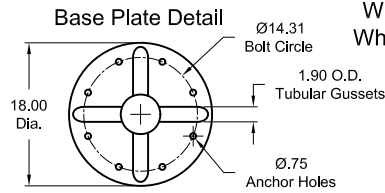
Installation Instructions

Rev. 05Oct12



Three Wheel Heights

- Wheel 1: 74.5"
- Wheel 2: 80"
- Wheel 3: 85.5"



Notes:
 Dimensions shown are in inches.
 Specifications are subject to change.