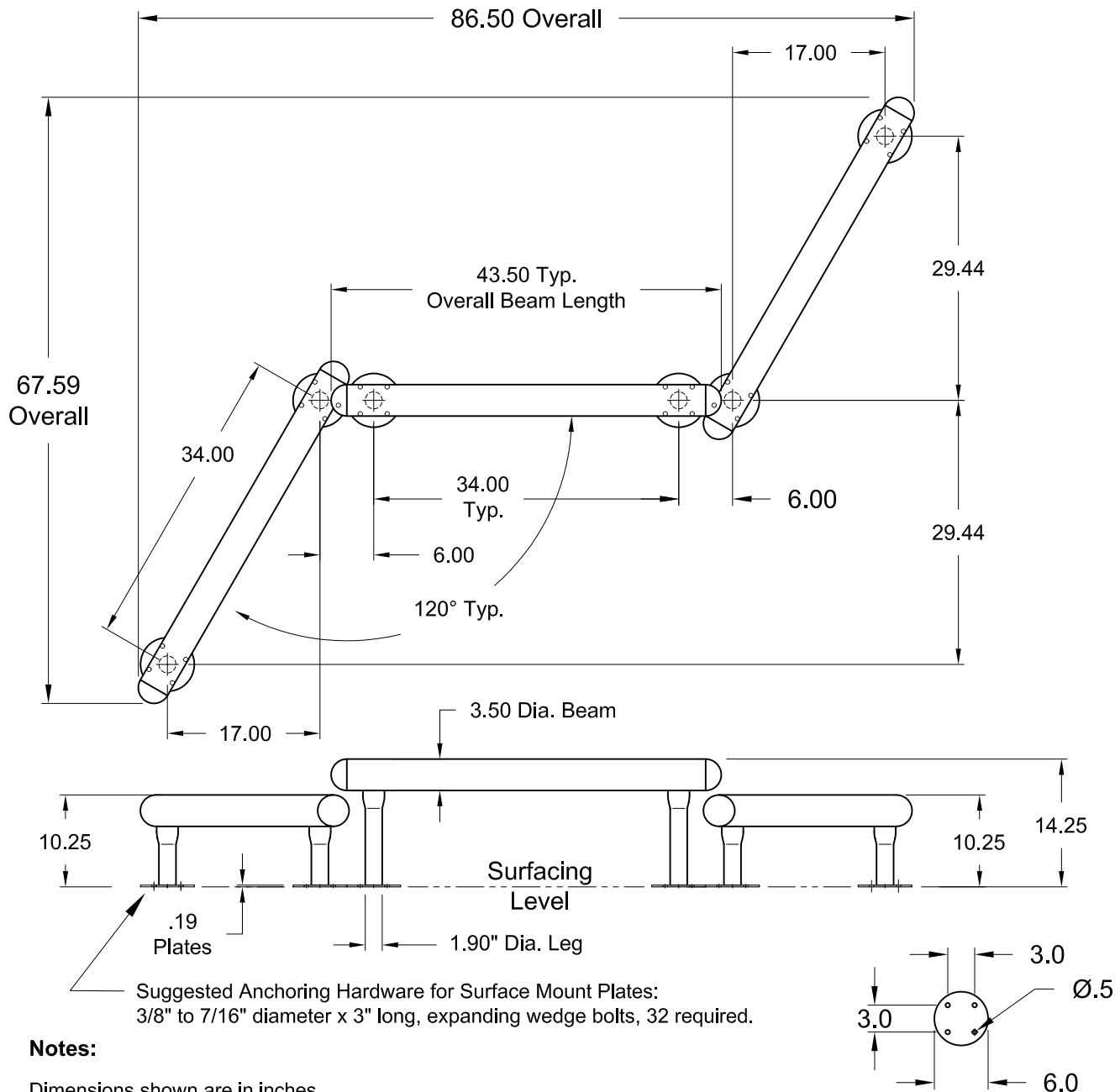


Jump Bars Specifications & Installation - Surface Mount

Model# 78000024SM



Notes:

Dimensions shown are in inches.

Use individual beam assemblies as a drill template. Dimensions shown are for reference purposes only.

Protective Surfacing is not required provided that maximum beam height does not exceed 18".

Anchoring hardware is not included as it is impossible to foresee all possible mounting surface conditions. Therefore, anchoring hardware "Types" only are suggested for a typical concrete pad. The concrete should be fully cured and at least 3.5 inches thick.

Finish: Polyester Powder Top Coat over In-Line Galvanized Tube or E-Coated Substrate.

Hardware: Tamper Resistant Stainless Steel

Materials:
 7 Ga. Steel Plate
 1.90" O.D. x .095" Wall Steel Tube
 3.5" O.D. x .095" Wall Steel Tube
 Aluminum End Caps

POF reserves the right to make continuous product developments. As a result, details are subject to change without notice.