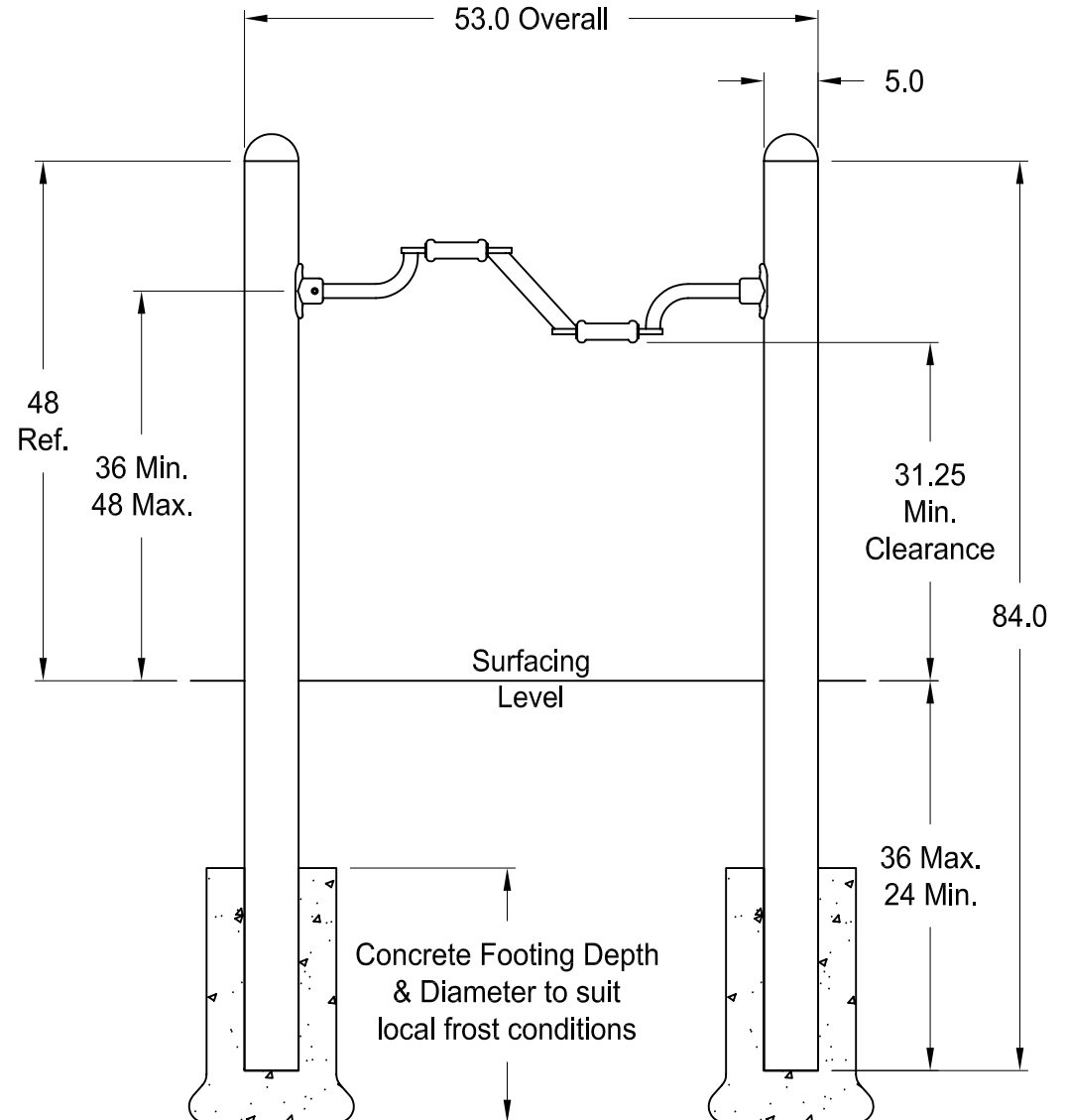
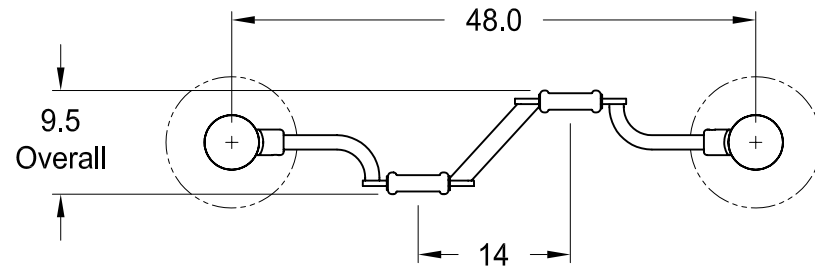
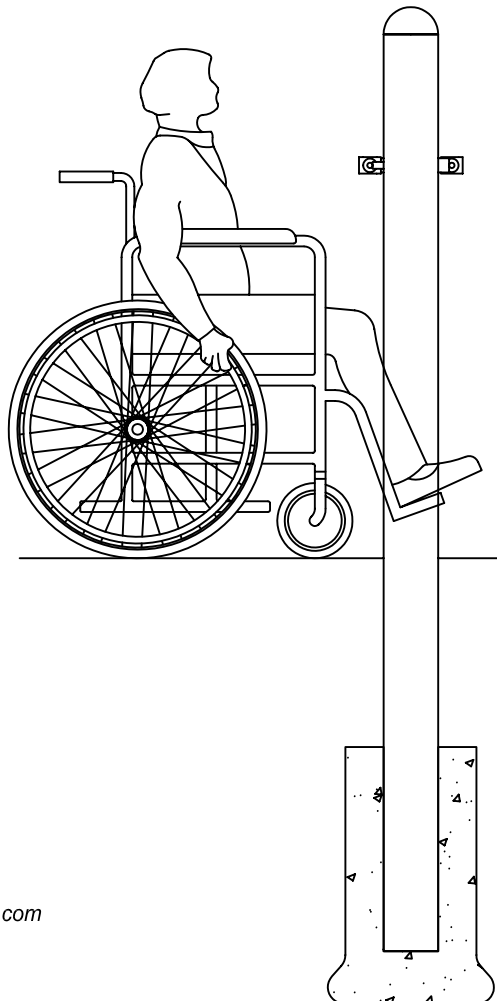




## Hand Bike, 1-Person, Accessible Specifications and Installation

Instructions  
 78000070



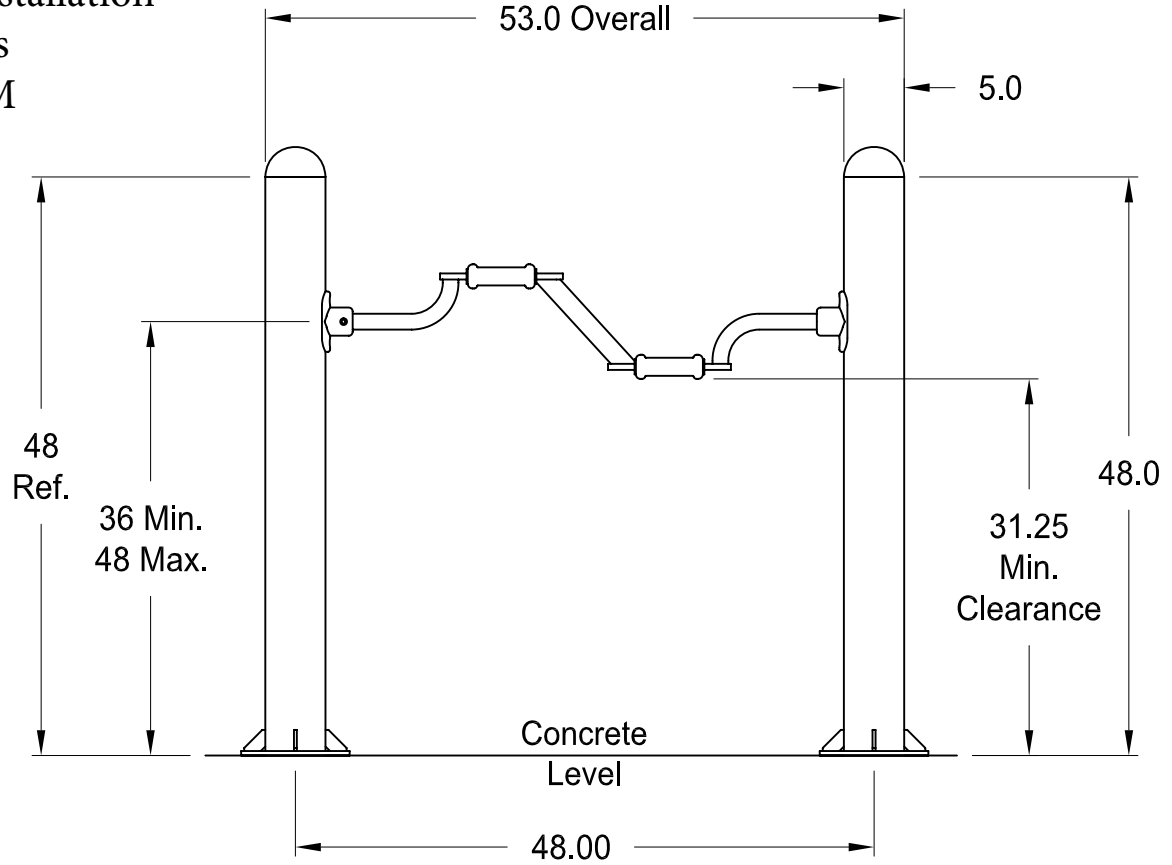
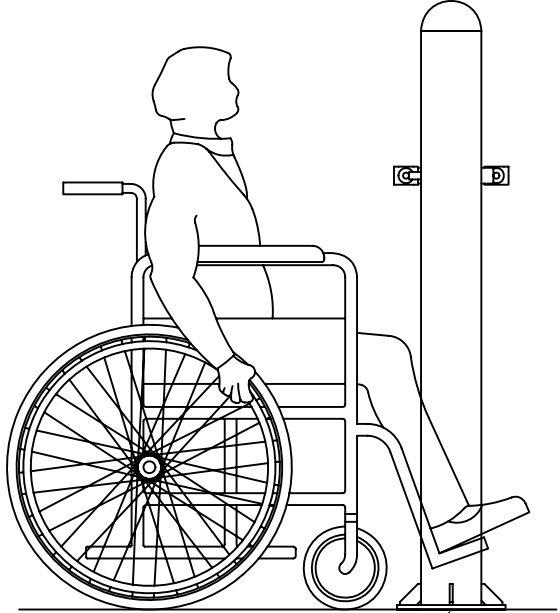
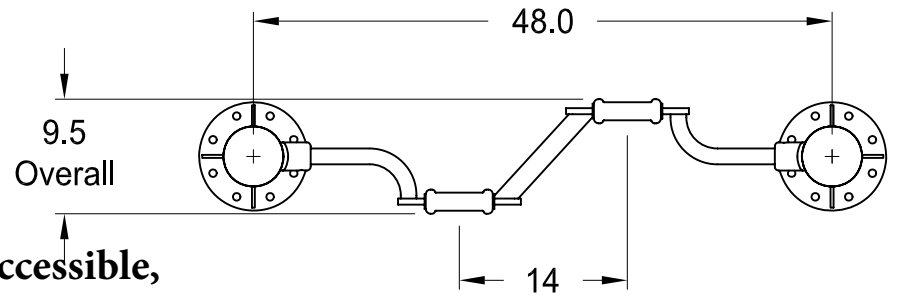
Web Site: [www.parisoutdoorfitness.com](http://www.parisoutdoorfitness.com)  
 Toll-Free: 1-800-387-6318

Note: Completely assemble unit prior to pouring concrete footings.  
 Dimensions shown are in inches.



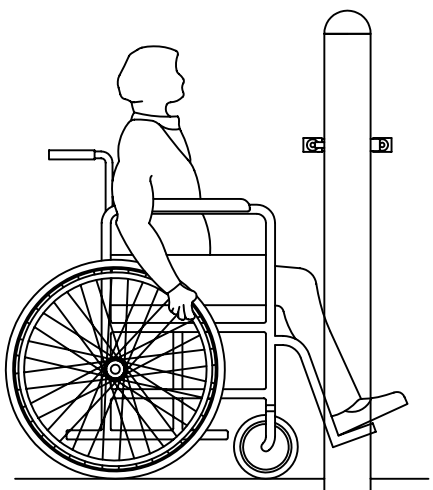
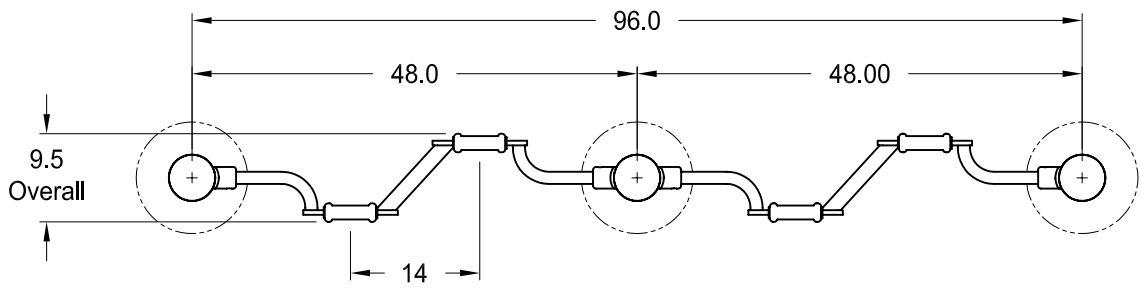
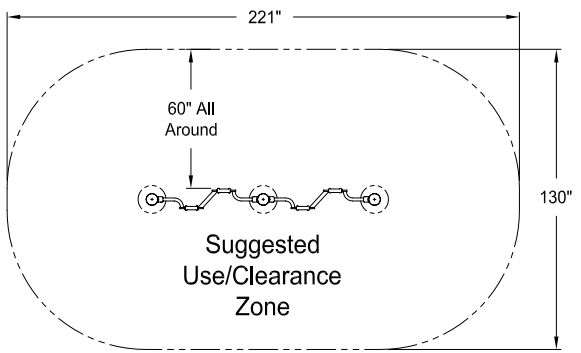
259 Third Concession Rd, PO Box 490  
Princeton, ON N0J 1V0  
Toll Free: 1-800-387-6318  
Phone: (519) 458-4882  
Fax: (519) 458-8087  
www.peml.com

## Hand Bike, 1- Person, Accessible, Surface Mount Specification and Installation Instructions 78000070SM

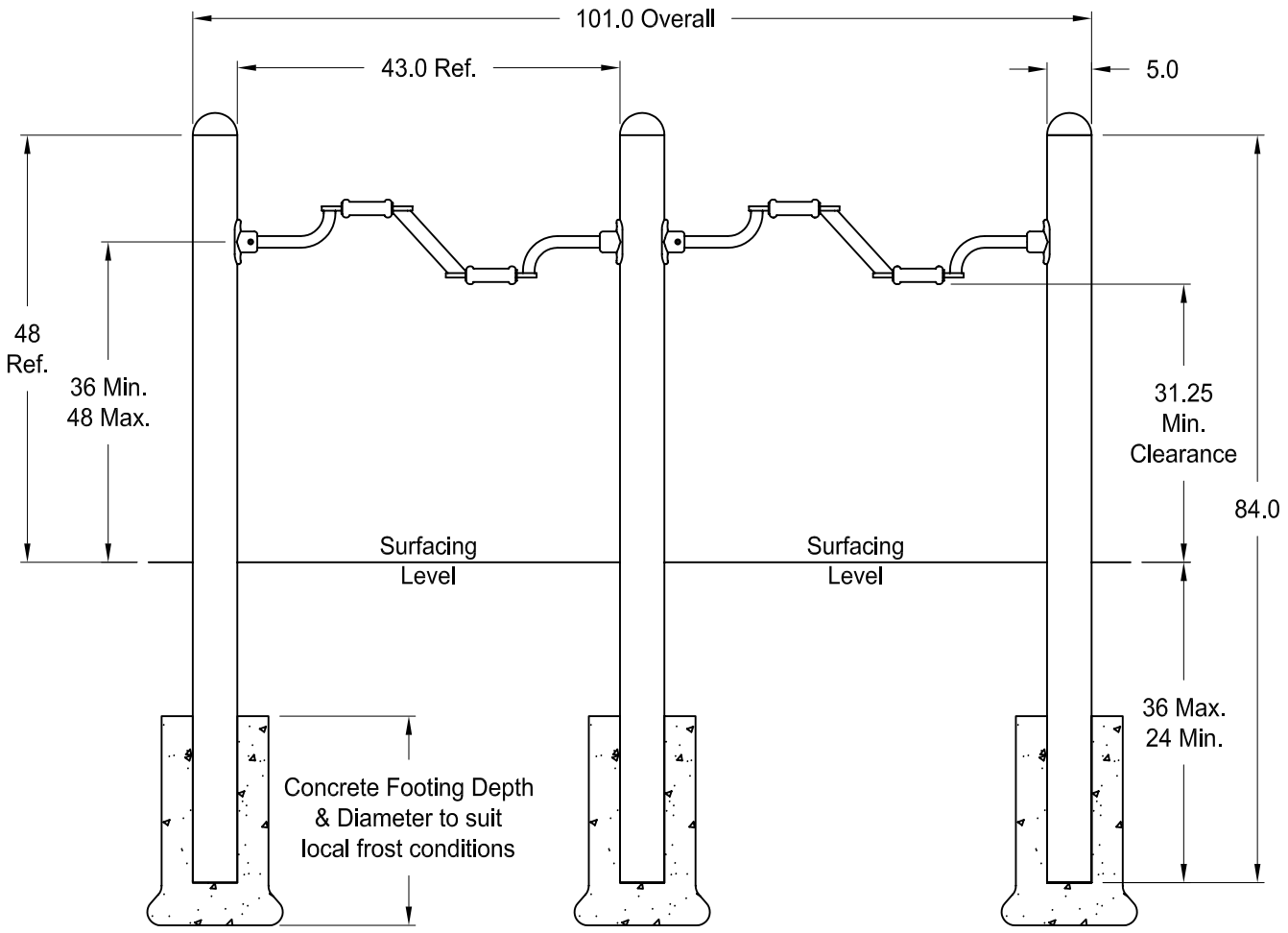


Suggested Anchoring Hardware for Surface Mount Plate:  
7/16" to 1/2" diameter x 4" long, expanding wedge bolts,  
4 bolts minimum / 8 bolts maximum. Use Base Plate as a template  
for locating the anchor bolts.

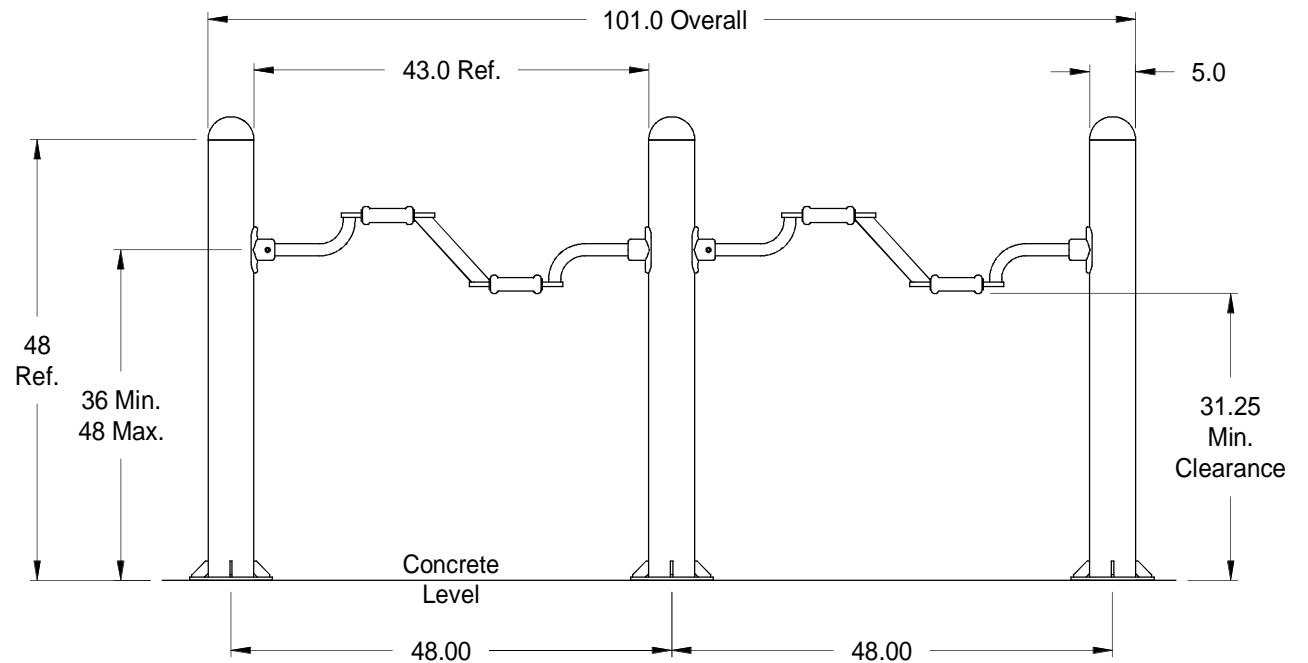
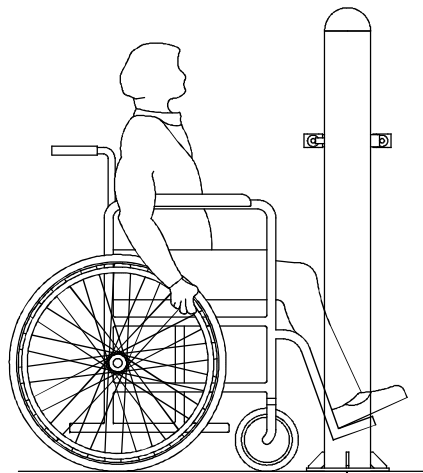
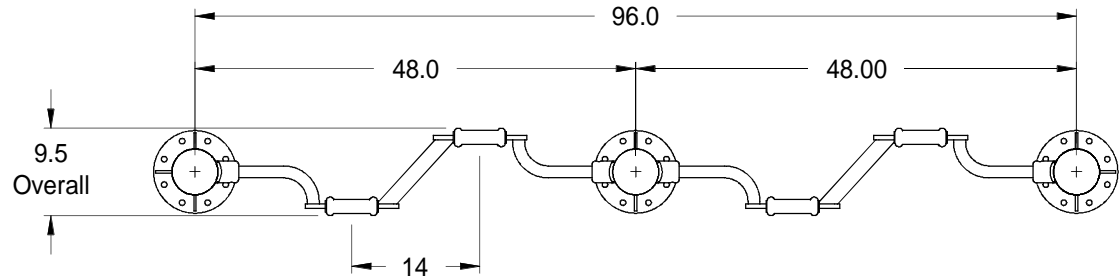
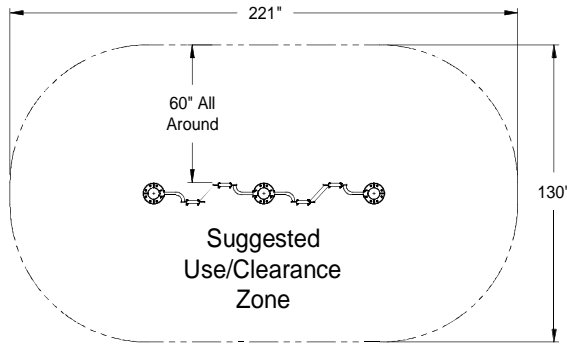
Note: Anchoring is not included as it is impossible to foresee all possible mounting surface conditions. Therefore, anchoring hardware "Types" only are suggested for a typical concrete pad. The concrete should be fully cured and 4 to 6 inches thick.



Note: Completely assemble unit prior to pouring concrete footings.  
 Dimensions shown are in inches.



## Hand Bike, 2-Person, Accessible Surface Mount Version Specifications and Installation Instructions 78000072SM



Suggested Anchoring Hardware for Surface Mount Plate:  
 7/16" to 1/2" diameter x 4" long, expanding wedge bolts,  
 4 bolts minimum / 8 bolts maximum. Use Base Plate as a template  
 for locating the anchor bolts.

Note: Anchoring is not included as it is impossible to foresee all possible mounting surface conditions. Therefore, anchoring hardware "Types" only are suggested for a typical concrete pad. The concrete should be fully cured and 4 to 6 inches thick.