

Product Specifications

PARIS

Site Furnishings • Outdoor Fitness

Toll-Free: 1-800-387-6318

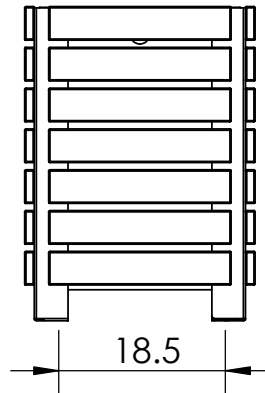
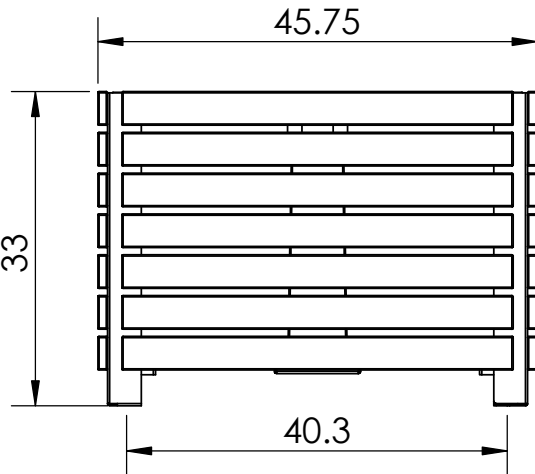
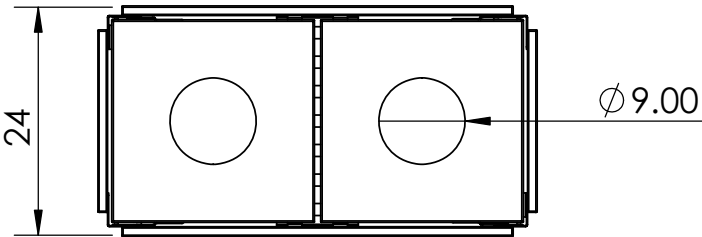
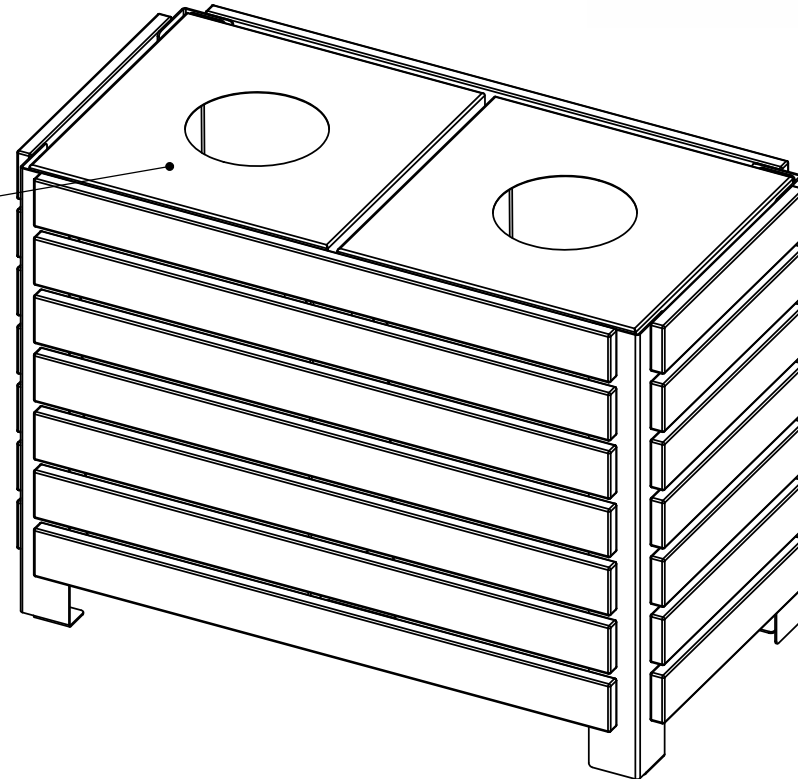
Description: **INOX DOUBLE LITTER RECEPTACLE**

Part #/Model #: **ILR64-PL (461-404)**

STANDARD LID OPTION: (PRT # 464-318)

RAIN SHEILD LID OPTION: (PRT# 464-311)

SHOWN WITH
STANDARD LID



Materials:

Frame and Lid:

12 GA Stainless Steel #4 Brushed Finish

Boards:

- 5/4" x 4" Ipe Hardwood Planks (nominal)

Hardware:

- Assembled with 1/4-20 Pan Head

Stainless Steel Screws

Notes: Anchoring Hardware Not Included

Revision **B**

Date **1/11/2022**

PROPERTY OF PARIS SITE FURNISHINGS AND OUTDOOR FITNESS

This drawing is the sole property of PARIS Site Furnishings and Outdoor Fitness LTD. and is not to be copied or distributed.

Product Specifications

PARIS

Site Furnishings • Outdoor Fitness

Description: **INOX DOUBLE LITTER RECEPTACLE**

Part #/Model #: **ILR64-PL (461-404)**

STANDARD LID OPTION: (PRT # 464-318)

RAIN SHEILD LID OPTION: (PRT# 464-311)



259 Third concession Rd, PO Box 490

Princeton, ON, N0J 1V0

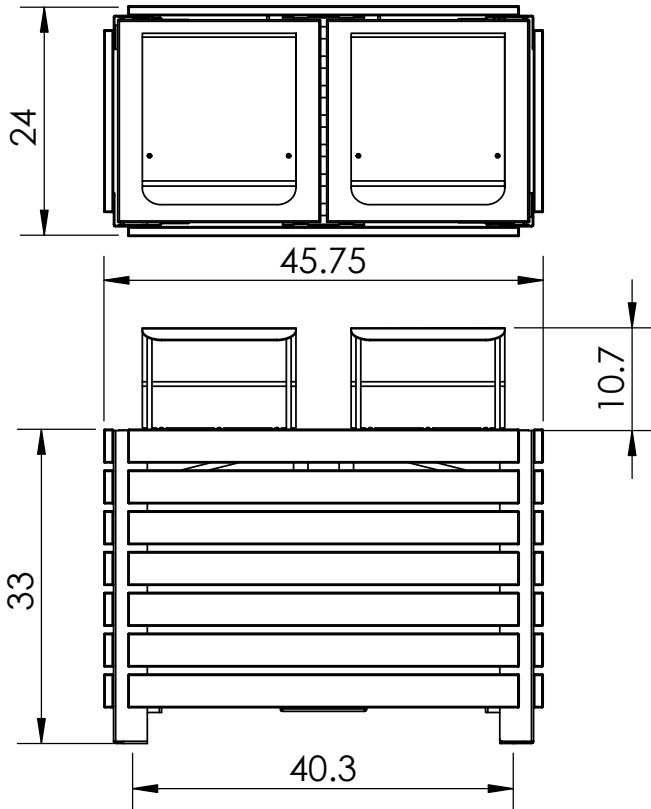
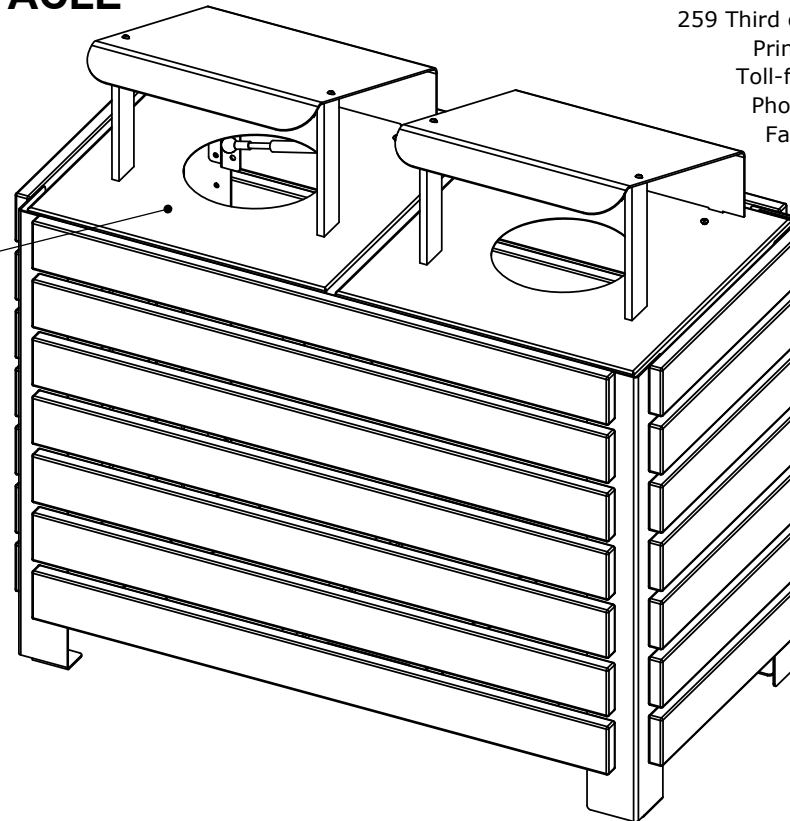
Toll-free: 1-800-387-6318

Phone: (519) 458-4882

Fax: (519) 458-8087

www.peml.com

SHOWN WITH
RAIN SHEILD
LID



Materials:

Frame and Lid:

12 GA Stainless Steel #4 Brushed Finish

Boards:

- 5/4" x 4" Ipe Hardwood Planks (nominal)

Hardware:

- Assembled with 1/4-20 Pan Head

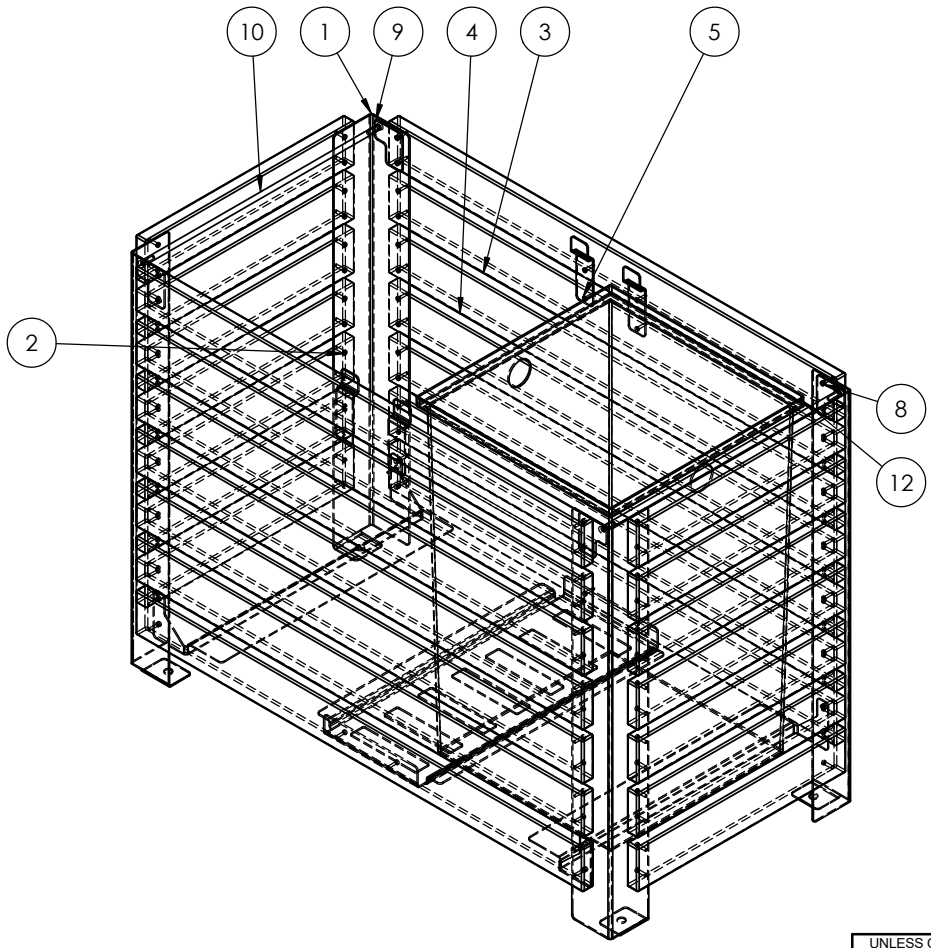
Stainless Steel Screws

Notes: Anchoring Hardware Not Included

PROPERTY OF PARIS SITE FURNISHINGS AND OUTDOOR FITNESS

Revision **B**

Date **1/11/2022**



DOUBLE RECEPTACLE WITH NO STANDARD LID SHOWN
LID IS ATTACHED AS ACCESSORY.

ITEM NO.	QTY.	PART NO.	DESCRIPTION
1	4	116-468	POST F/LITTER RCPT
2	14	304-270	BOARD 5/4X4 F/LTTR RCPT
3	6	304-383	BOARD,5/4X4 TOP/BTM F/DBL LR
4	8	304-384	BOARD,5/4X4 F/DBL LTTR RCPT
5	4	116-469	LID SUPPORT F/LTTR RCPT
6	2	116-470	LINER SUPPORT F/LTTR RCPT
7	1	116-647	LINER SUPPORT F/DBL LTTR RECEP
8	2	116-631	HINGE MOUNT RH F/LTR RCPT
9	2	116-632	HINGE MOUNT LH F/LTR RCPT
10	2	116-633	HINGE ROD F/LTR RCPT
12	2	263-638	ROTO UNIVERSAL LINER 17.75 sq.in.

UNLESS OTHERWISE SPECIFIED
DO NOT SCALE DRAWING
INTERPRET DIMENSIONS AND TOLERANCES
PER ASME Y14.5M-1994
DIMENSIONS ARE IN INCHES
TOLERANCES APPLY AS SHOWN BELOW
DECIMALS: .001 UNLESS OTHERWISE SPECIFIED
FRACTIONS: 1/16 UNLESS OTHERWISE SPECIFIED
ANGLES: ± 1.0°
1 PL DEC ± 0.125 ± 0.250
2 PL DEC ± 0.062 ± 0.125
3 PL DEC ± 0.031 ± 0.031
THIRD ANGLE PROJECTION

PARIS
Elite Furnishings • Outdoor Fitness
THERCEL

PROPRIETARY
NO PART OF THIS DOCUMENT MAY BE REPRODUCED,
STORED IN A RETRIEVAL SYSTEM, OR TRANSMITTED IN
ANY FORM, WITHOUT THE WRITTEN PERMISSION OF
Therac Technology Corporation.

TITLE: **INOX DOUBLE LITTER RECEPTACLE**

SIZE: **B** DRAWING NO: **461-404** REVISION: **B**

SCALE: 1:12 WEIGHT: 191.09 lbs SHEET 3 OF 3