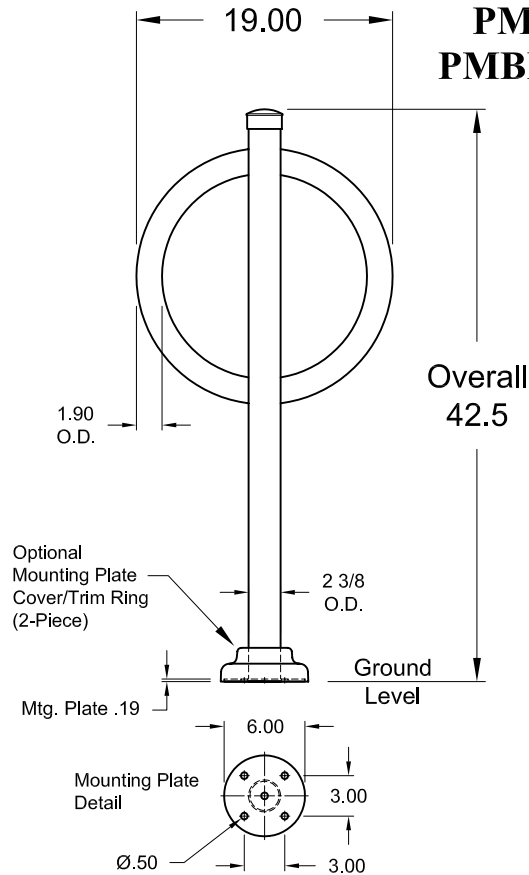


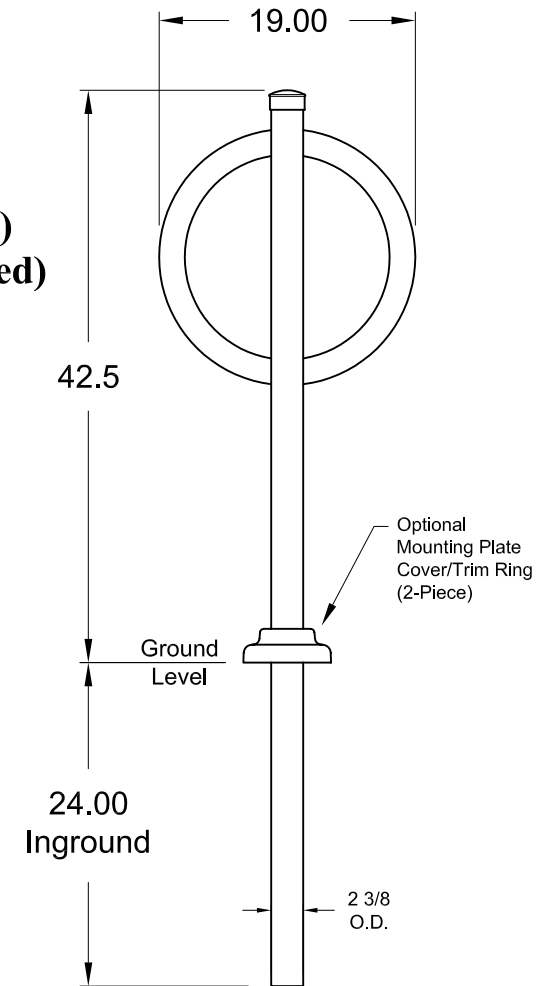
Specifications Pedestal Bicycle Rack

Surface Mount Model:
PMBR-P-SF (Painted)
PMBR-G-SF (Galvanized)

In-Ground Model:
PMBR-P-IG (Painted)
PMBR-G-IG (Galvanized)



Surface Mount Model Shown: **PMBR-P-SF (Painted)**



Materials:

- 2.375" O.D. ILG Steel Tube
- 1.9" O.D. ILG Steel Tube
- 7 ga. Galv. Plate
- Aluminum Post Cap
- Aluminum Mounting Plate Cover (Optional)

Available Finishes:

- 1) Polyester Powder Coating
- 2) Hot Dipped Galvanized Coating

NOTES:

Dimensions shown are in inches.

We have endeavoured to insure that all product specifications listed on this drawing were correct at the time of publication. We reserve the right to improve, alter, or discontinue specifications without notice.

Hardware:

No Hardware Required, unit comes fully welded/assembled.
 Anchoring Hardware Not Included.

Rev. 20Mar12