

PRODUCT SPECIFICATIONS

PARIS

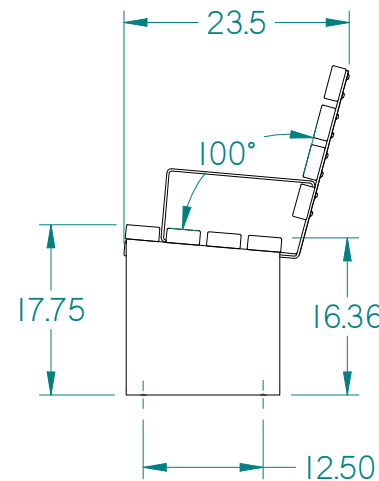
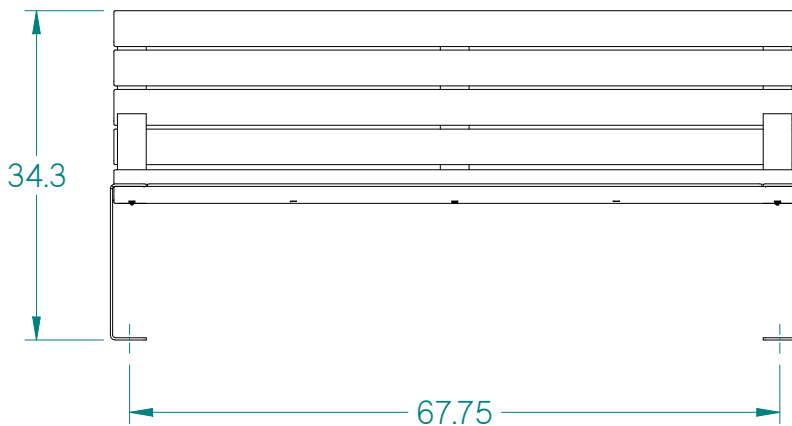
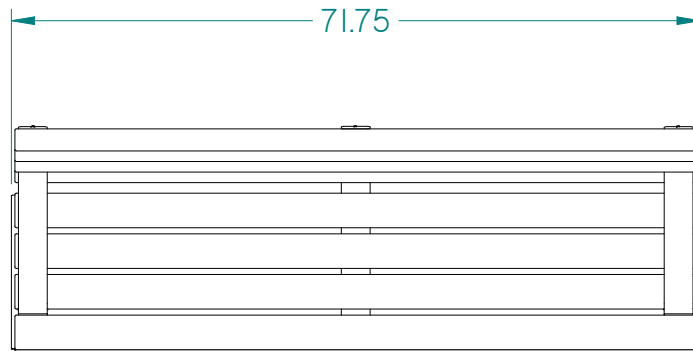
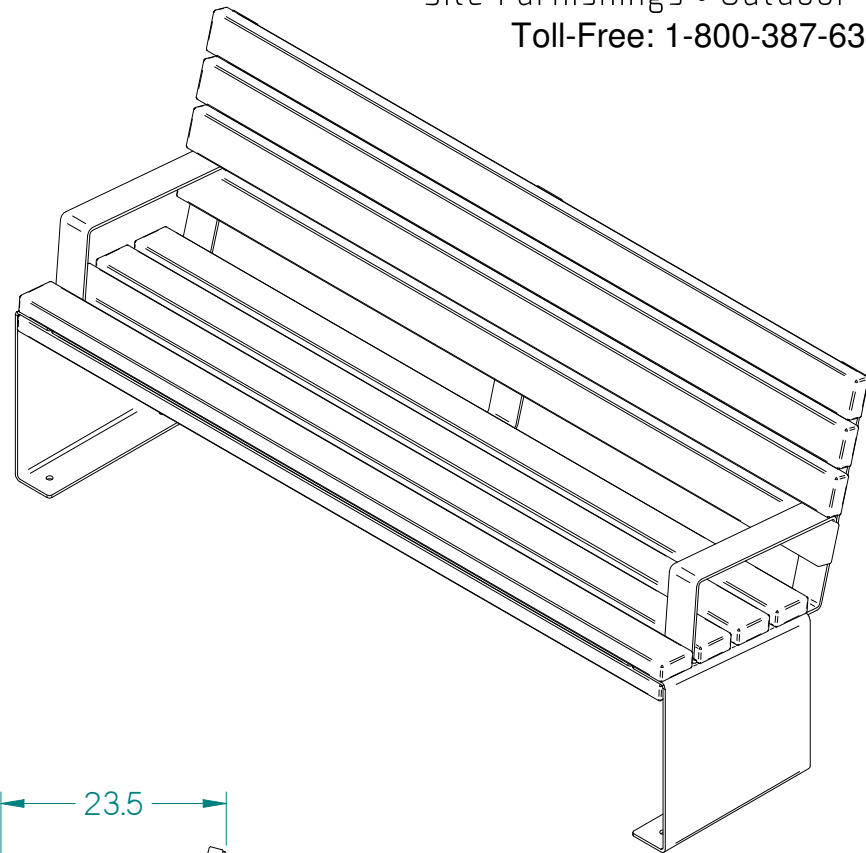
Site Furnishings • Outdoor Fitness

Toll-Free: 1-800-387-6318

DESCRIPTION: INOX SERIES, 6FT BENCH

MODEL #: I6-PL (460-326)

I6-PL (460-412)



Materials:

Frame:

- 1/4" Stainless Steel #4 Brushed Finish (420-326)
- 1/4" Painted Steel (460-412)

Seat:

- 2" x 4" Ipe Hardwood Planks (nominal)

Hardware:

- Assembled with 1/4-20 Pan Head Stainless Steel Screws

Bench Weight: Approx. 200 lbs

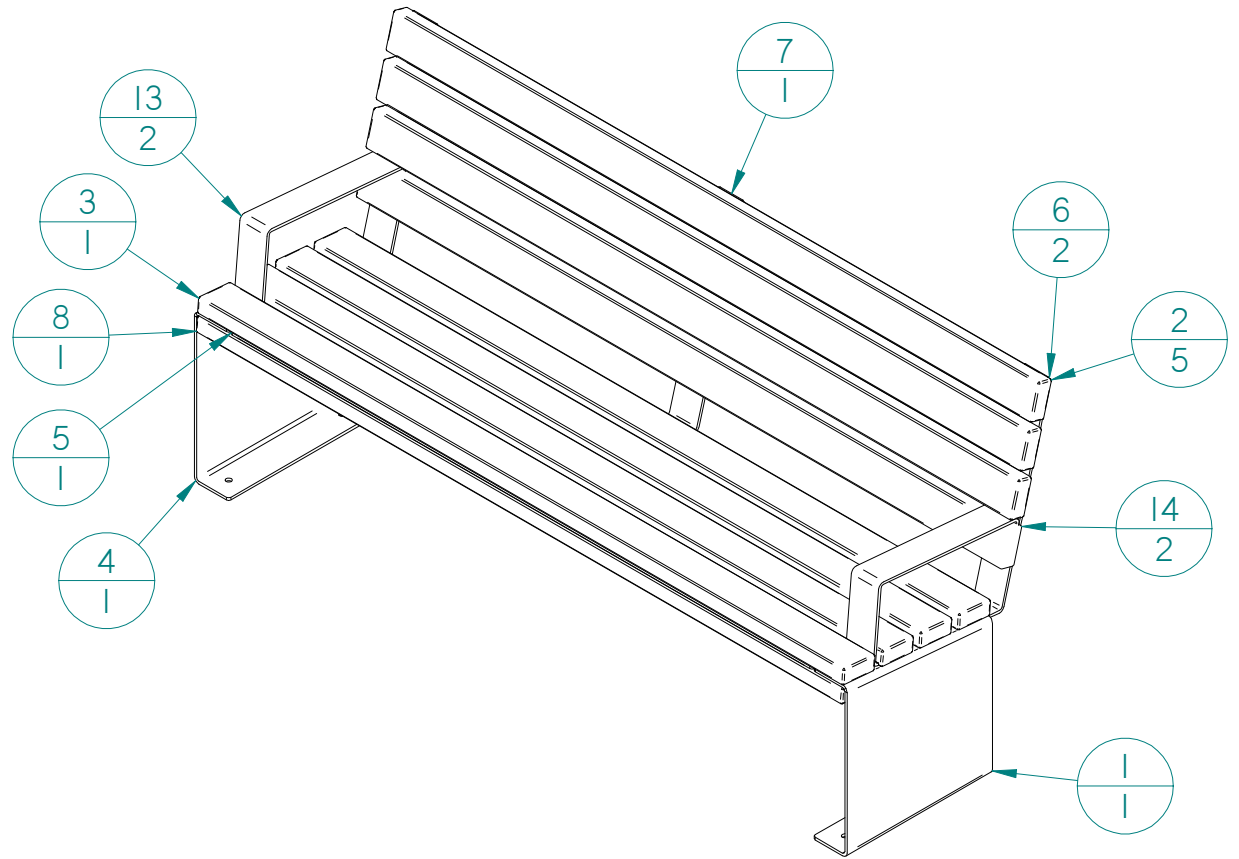
Notes:

Anchoring Hardware Not Included

REVISION: 0

DATE: 1/17/2016

ITEM#	PART#		DESCRIPTION	QTY
	460-326	460-412		
1	116-455	117-237	BENCH, INOX LEG LEFT HAND	1
2	304-266	304-266	BOARD, STANDARD	5
3	304-263	304-263	BOARD, EDGE - TOP	1
4	116-456	117-238	BENCH, INOX LEG RIGHT HAND	1
5	116-460	117-239	BENCH, INOX EDGE BRACE	1
6	116-458	117-240	BENCH, INOX BACK BRACKET	2
7	116-459	117-241	BENCH, INOX CENTRE BACK BRACKET	1
8	304-264	304-264	BOARD, EDGE - BOTTOM	1
9	254-080	254-080	1/4 WASHER SS	50
10	250-641	250-641	1/4-15 x 1 HIGH-LOW SS TORX	38
11	250-643	250-643	1/4-10X2.00 HEX HEAD SCREW,SS	8
12	250-642	250-642	1/4-15 x 1.25 HIGH-LOW SS TORX	4
13	116-457	117-242	BENCH, INOX ARM	2
14	304-265	304-265	BOARD, MACHINED FOR BENCH ARM	2



REV.	DESCRIPTION	ECN NO.	BY	DATE

MATERIAL:	
FINISH SPECS:	NONE

TOLERANCES UNLESS SPECIFIED		
DECIMALS	48" & UNDER	OVER 48"
X.X	± .125"	.250"
X.XX	± .062"	.125"
X.XXX	± .031"	.031"
ANGLES	± 1.5°	

	SIZE:	A
	Site Furnishings • Outdoor Fitness	
THIS DOCUMENT IS CONFIDENTIAL AND CANNOT BE USED IN ANY WAY OR GIVEN TO ANY PERSON WITHOUT THE CONSENT OF JOHN G. WILSON MACHINE LIMITED		
DATE:	1/17/2016	DRAWN BY:
		clakin

TITLE:	INOX SERIES, 6FT BENCH	
AGAMA PART NO.	16-PL	CUSTOMER PART NO.
		(460-326)
SCALE:	SHEET: 2 OF 2	REV: 0