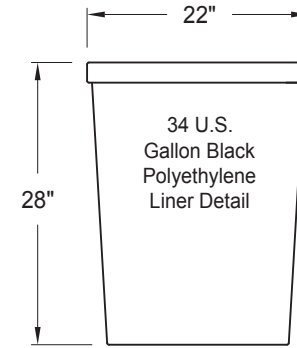
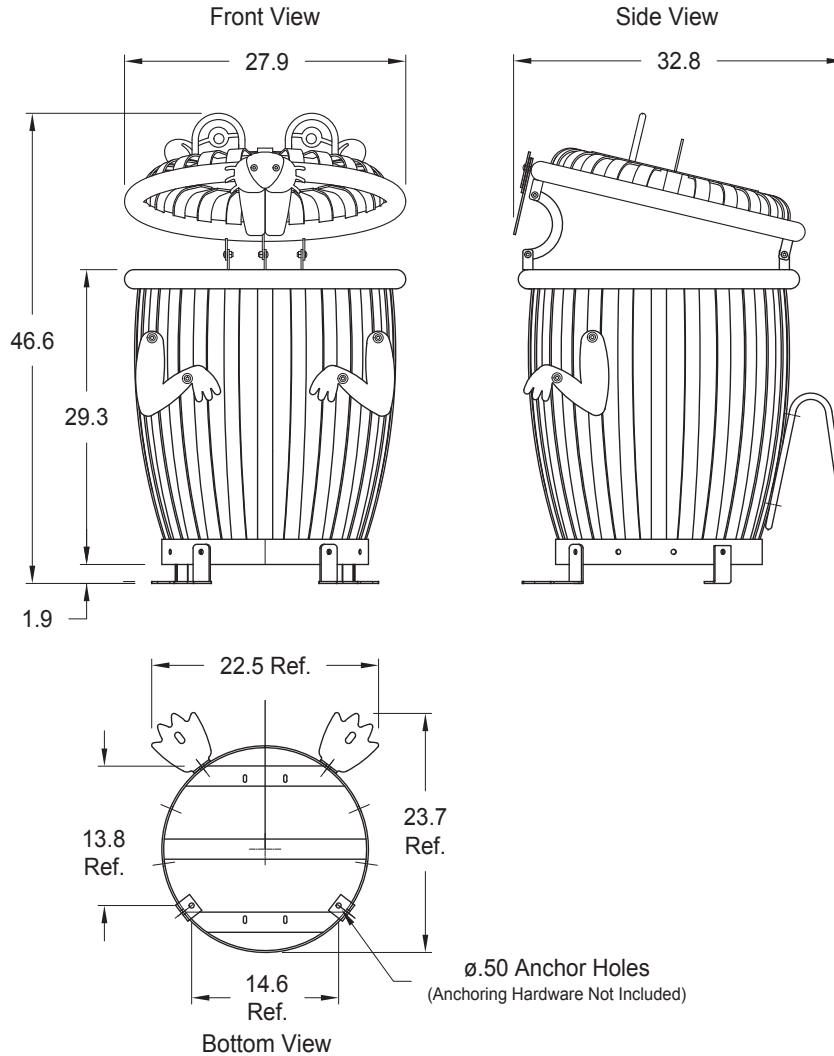
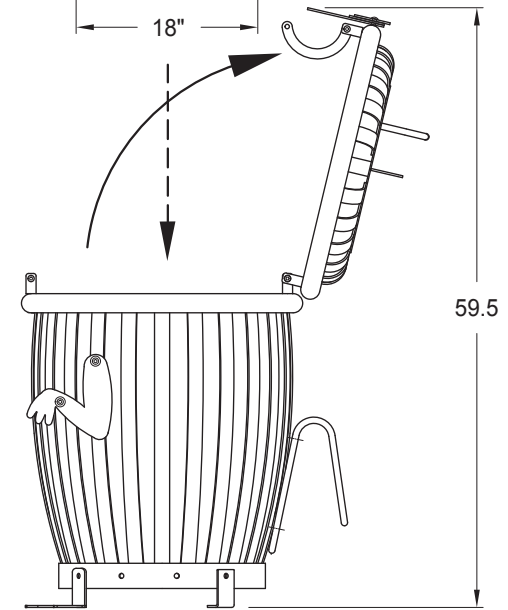


BREAK ALL EDGES AND CORNERS



To Remove Litter:

- 1) Remove Bolt from bottom of Lid Strut.
- 2) Carefully Tilt Lid Back.
- 3) Remove Liner or Bag within Liner



Materials:

- 3/16" x 1.5" and 2.5" Steel Flat Bar
- 3/16" Thick Steel Plate
- 1.32 and 1.90" O.D. Steel Tube
- 1/4" and 5/8" Diameter Steel Rod
- 3/4-9F Expanded Steel Mesh (Tail)

Notes:

Dimensions shown are in inches.
 Anchoring Hardware Not Included.

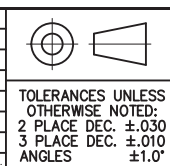
These specifications are subject to change at the discretion of PEML.

Finish: Polyester Powder Top Coat over E-Coated Substrate.

461-371

4	3/8-16 X 1 CARRIAGE BOLT SS BZ	250-787	2
5	3/8-16 NYLOCK HEX NUT, 18-8 SS	253-245	2
6	CREATURE CAN EYE BALL	116-802	2
ITEM	DESCRIPTION	P/N	QTY

A	7164	UPDATED VIEWS DUE TO CHANGES TO FEET & MTG BRKTS	7/30/14	PC
-	ERN--	NEW DRAWING RELEASE	-	-
REV	ECN	REVISION DESCRIPTION	DATE	BY

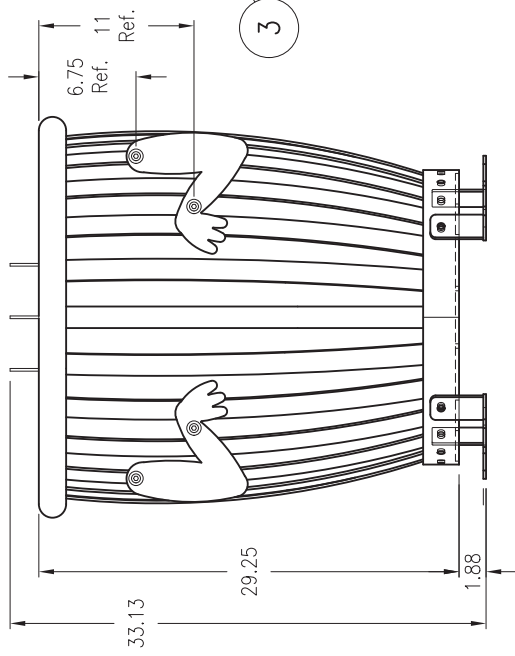


PARIS
 Site Furnishings • Outdoor Fitness
 Toll-Free: 1-800-387-6318

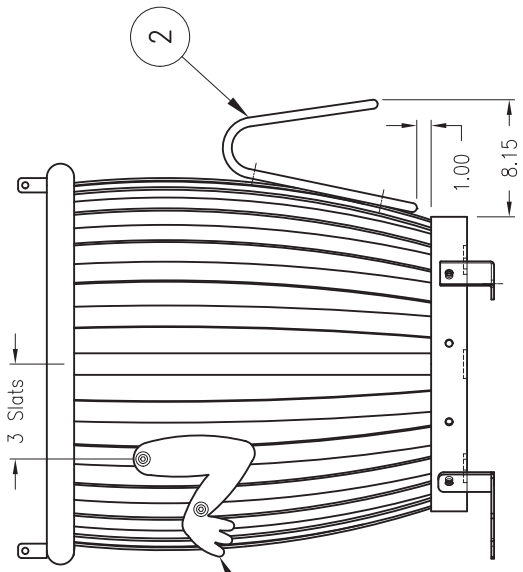
ITEM	DESCRIPTION	P/N	QTY
SCALE: 1:20	TITLE		
DATE: 11Jun12	Beaver Creature Can Specifications		
DRAWN BY: DPH			
CHECKED BY: -	DWG NO: Model: CCB34		REVISION
SHEET 1 OF 1			B

BREAK ALL EDGES AND CORNERS

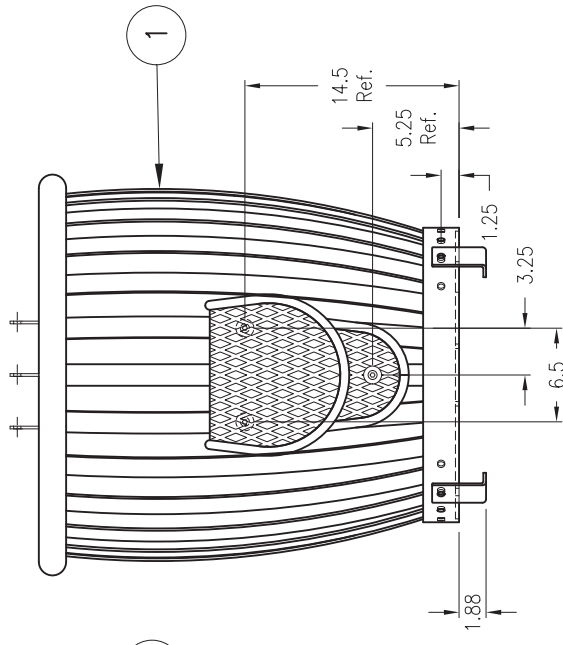
Front View



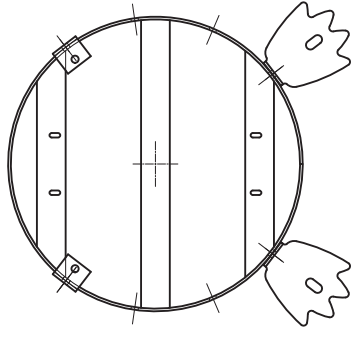
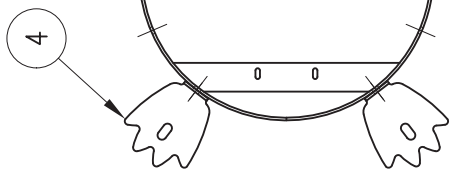
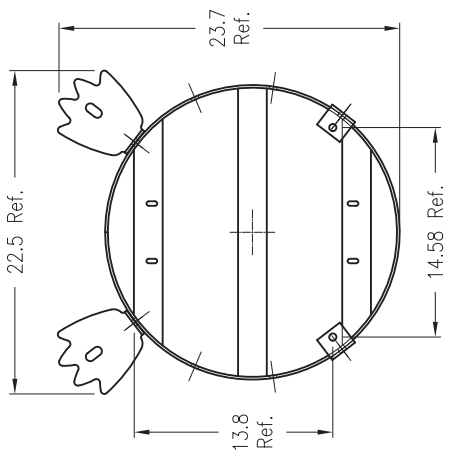
Side View



Tail View



461-371



TOLERANCES UNLESS OTHERWISE NOTED:
 2 PLACE DEC. ±.030
 3 PLACE DEC. ±.010
 ANGLES ±.1.0°

PARIS
 Site Furnishings • Outdoor Fitness

SCALE: 1:14
 DATE: 03NOV11
 DRAWN BY: KG
 CHECKED BY: --
 SHEET 2 OF 2

ITEM	DESCRIPTION	P/N	QTY
4	FOOT PLATE F/BEAVER CREATURE CAN	01352300	2
3	FOREARM PLATE F/BEAVER CREATURE CAN	01352200	2
2	TAIL ASSY F/BEAVER CREATURE CAN	51198800	1
1	TRASH BODY F/BEAVER CREATURE CAN	55329900	1

REVISION **B**
 Dwg No: 65065300
 TITLE: BODY ASSY F/BEAVER LITTER RECEPTACLE

REV	ECN	NEW DRAWING RELEASE	REVISION DESCRIPTION	DATE	BY
--	--	--	--	--	--

THE IDEAS AND INFORMATION CONTAINED WITHIN THIS PRINT ARE CONFIDENTIAL AND MUST NOT BE LENT, COPIED OR USED WITHOUT WRITTEN CONSENT.