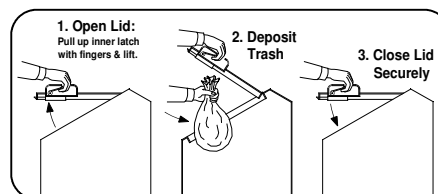


Bear Proof Litter Receptacle Specifications and Features:

- Rust resistant pre-galvanized steel sheet metal construction (12 Ga. Panels, 14 Ga. Doors).
- Stainless Steel Hinges and Handles.
- Bear Resistant Latches on both Lids and Doors, Rear Door Lockable (Padlocks Not Included).
- Lids to be self closing and weather proof (Lid & Door sizes as shown above).
- Removable plastic liner for easy removal.
- Bottom tray to be angled for easy emptying and cleaning.

- **Coating:** Polyester Powder Finish, Brown
(Consult your PEML representative for availability of other colours).
- Concrete Mounting Pads to be included (as specified above)
- All Attachment Hardware to be Stainless Steel.

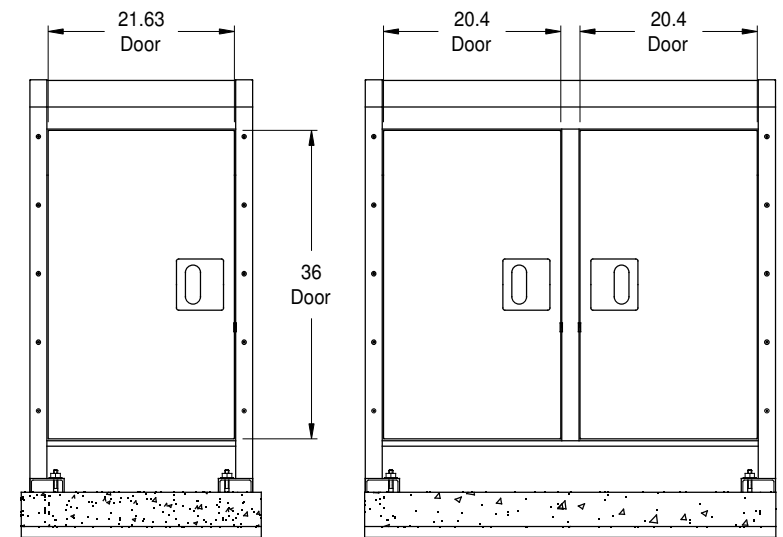
Graphic Instruction Label Detail:



Dimensions Shown in Inches.

We have endeavored to insure that all product specifications listed on this document were correct at the time of publication. We reserve the right to improve, alter or discontinue certain specifications without notice.

Rev. C



Rear View

Rear View