

Product Specifications

PARIS

Site Furnishings • Outdoor Fitness

Toll-Free: 1-800-387-6318

Description: **CUSTOM VERVE (STEEL PLANKS)**

Part #/Model #: **460-296Pride**

Materials Specifications:

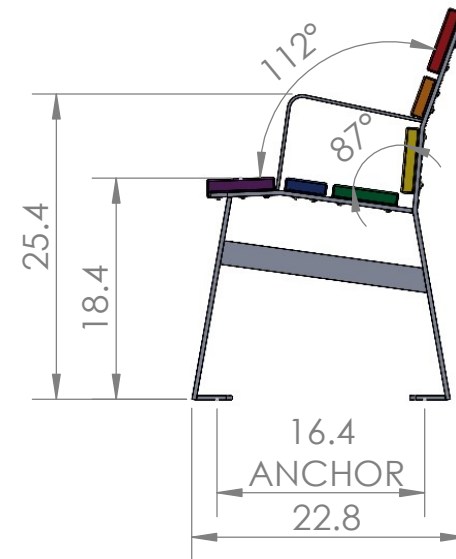
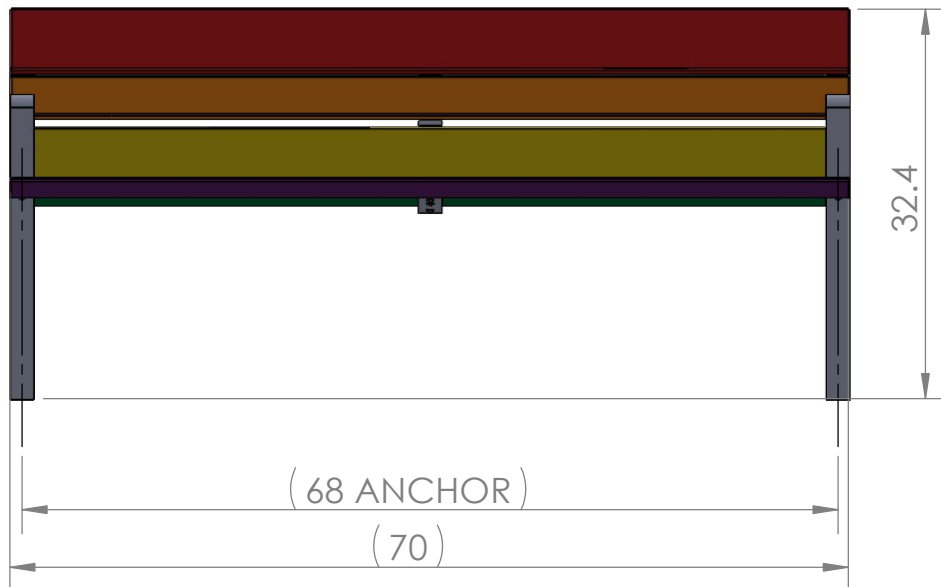
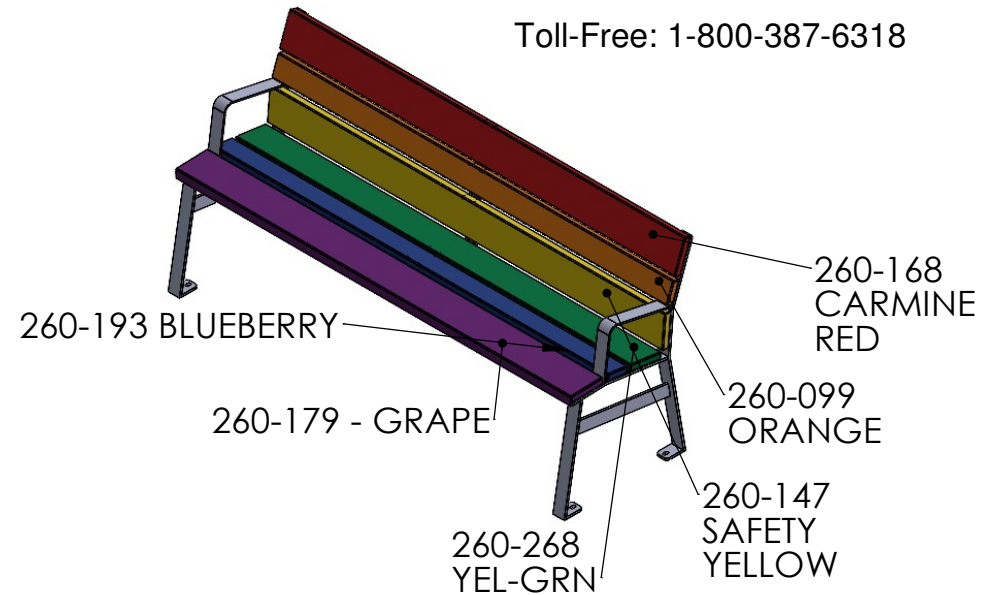
- 3/8 X 2.00" HOT ROLLED FLAT BAR
- 5/4 X 6.00" & 5/4 X 4.00" STEEL SLATS
- 1/4-20 X 3/4 STAINLESS STEEL FASTENERS
- 1/4 STAINLESS STEEL FLAT WASHERS

Finish Specifications:

- Rust preventative primer powder coating
- Super durable polyester powder top coating

Hardware:

- Stainless steel,
- Anchoring hardware not included

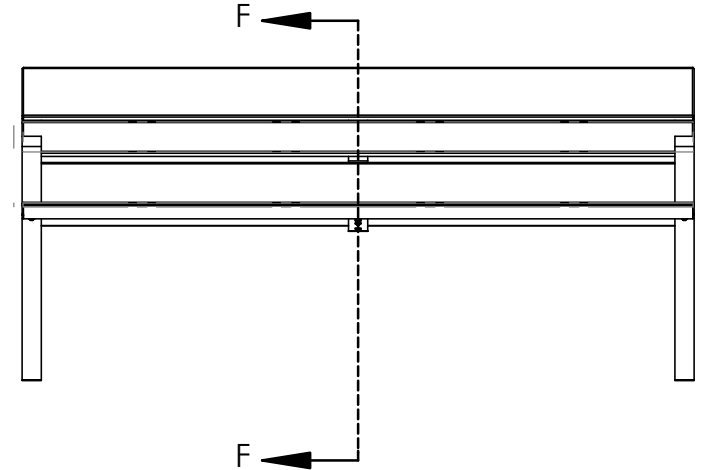
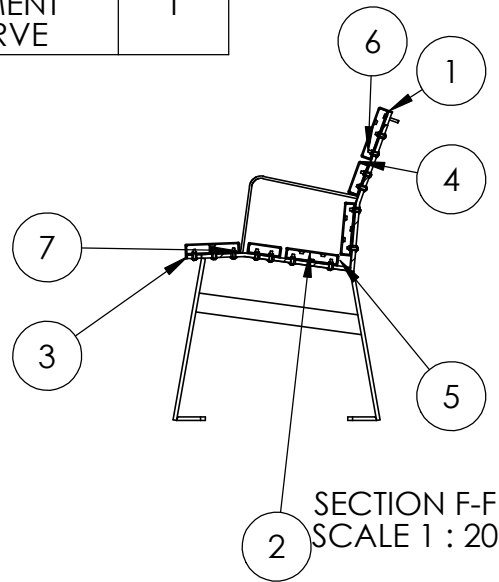


Revision 0

Date 2/1/2023

ITEM NO.	PART NUMBER	DESCRIPTION	QTY.
1	304-175	BENCH END WELDMENT F/VERVE BENCH	2
2	304-790	WIDE SLAT	3
3	116-247	FRONT SUPPORT F/VERVE BENCH	1
4	304-789	NARROW SLAT	2
5	254-089	1/4 FALT WASHER SS	39
6	250-550	1/4-20 X 1 BHCS	39
7	304-794	WIDE SLAT-FRONT SPECIAL	1
8	304-176	MID SUPPORT WLDMENT F/VERVE	1

REVISION TABLE				
REV.	DESCRIPTION	DATE	BY	ECO #
0	RELEASE	2/1/2023	SRA	12402



UNLESS OTHERWISE SPECIFIED
DO NOT SCALE DRAWING
INTERPRET DIMENSIONS AND TOLERANCES
PER ASME Y14.5M-1994
DIMENSIONS ARE IN INCHES
TOLERANCES APPLY AS SHOWN BELOW
DECIMALS 48" & UNDER OVER 48"

1 PL DEC	± 0.125	± 0.250
2 PL DEC	± 0.062	± 0.125
3 PL DEC	± 0.031	± 0.031
ANGLES	± 1.5°	

THIRD ANGLE PROJECTION



DRAWN BY
SAUGER

DATE
2/1/2023

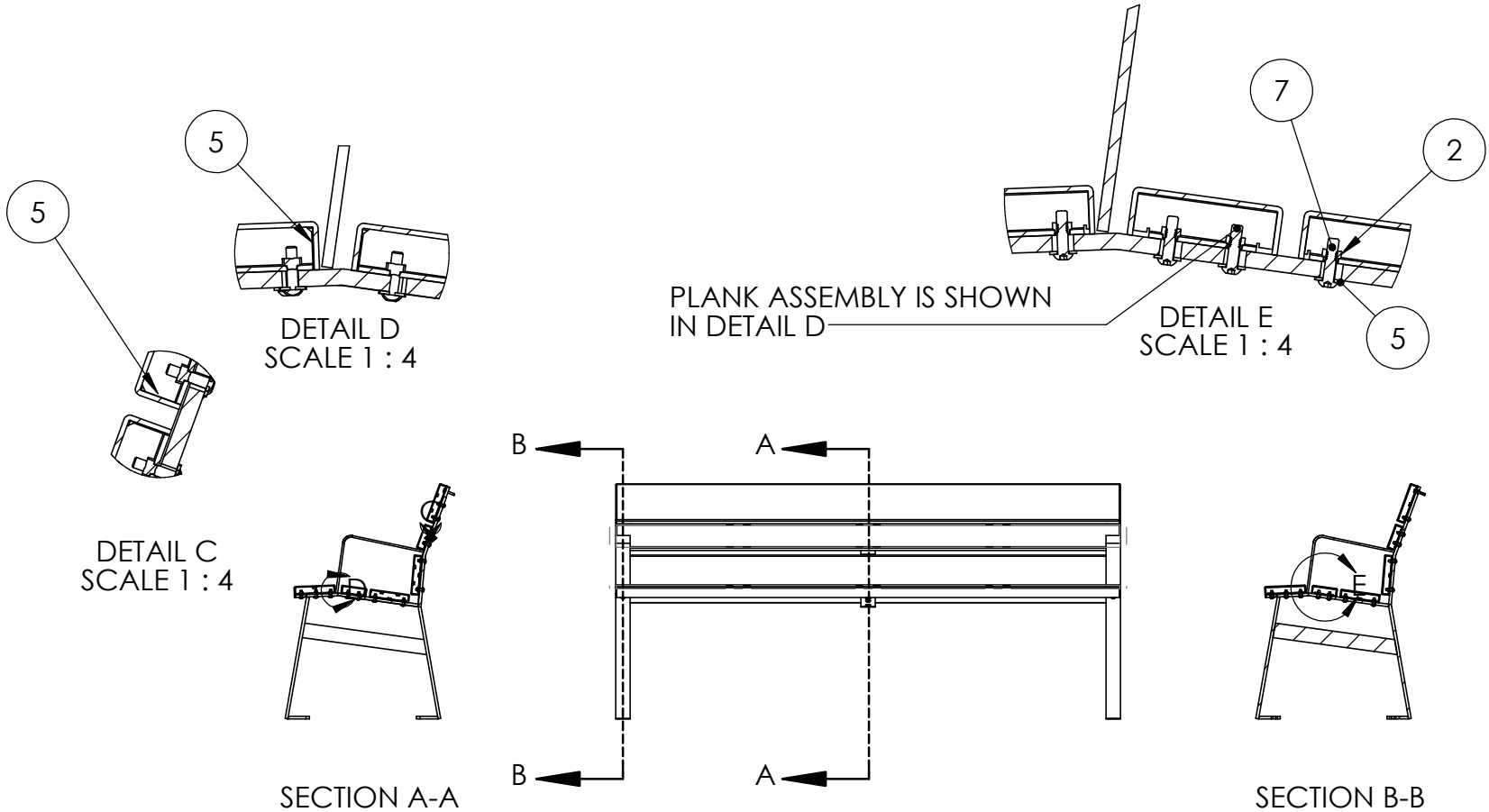
PROPRIETARY
NO PART OF THIS DOCUMENT MAY BE REPRODUCED, STORED IN A RETRIEVAL SYSTEM, OR TRANSMITTED IN ANY FORM, WITHOUT THE WRITTEN PERMISSION OF Tiercel Technology Corporation.

TITLE
CUSTOM VERVE (STEEL PLANKS)

SIZE	PART NO.	REVISION
A	460-296Pride	0

SCALE	WEIGHT	SHEET 1 OF 2
1:24	112.30 lbs	

REVISION TABLE				
REV.	DESCRIPTION	DATE	BY	ECO #
0	RELEASE	2/1/2023	SRA	12402



UNLESS OTHERWISE SPECIFIED
DO NOT SCALE DRAWING
INTERPRET DIMENSIONS AND TOLERANCES
PER ASME Y14.5M-1994
DIMENSIONS ARE IN INCHES
TOLERANCES APPLY AS SHOWN BELOW

DECIMALS	48" & UNDER	OVER 48"
1 PL DEC	± 0.125	± 0.250
2 PL DEC	± 0.062	± 0.125
3 PL DEC	± 0.031	± 0.031
ANGLES	± 1.5°	

THIRD ANGLE PROJECTION



DRAWN BY SAUGER
DATE 2/1/2023

PROPRIETARY
NO PART OF THIS DOCUMENT MAY BE REPRODUCED, STORED IN A RETRIEVAL SYSTEM, OR TRANSMITTED IN ANY FORM, WITHOUT THE WRITTEN PERMISSION OF Tiercel Technology Corporation.

TITLE
CUSTOM VERVE (STEEL PLANKS)

SIZE	PART NO.	REVISION
A	460-296Pride	0
SCALE	WEIGHT	
1:24	112.30 lbs	
SHEET 2 OF 2		