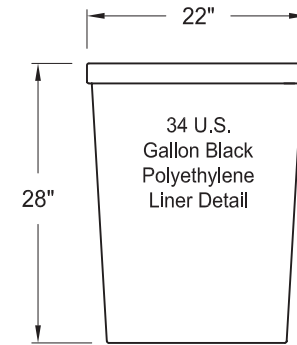
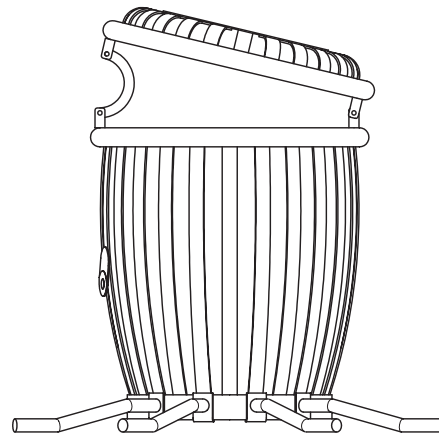
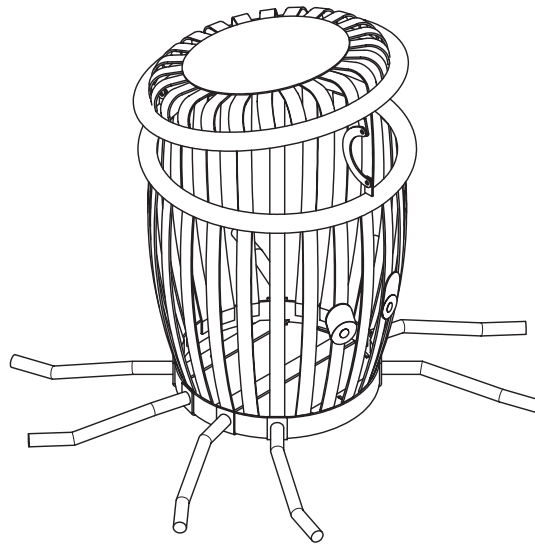
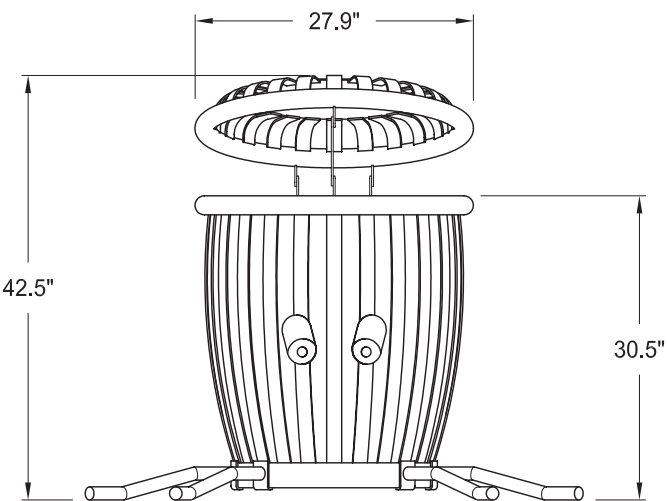
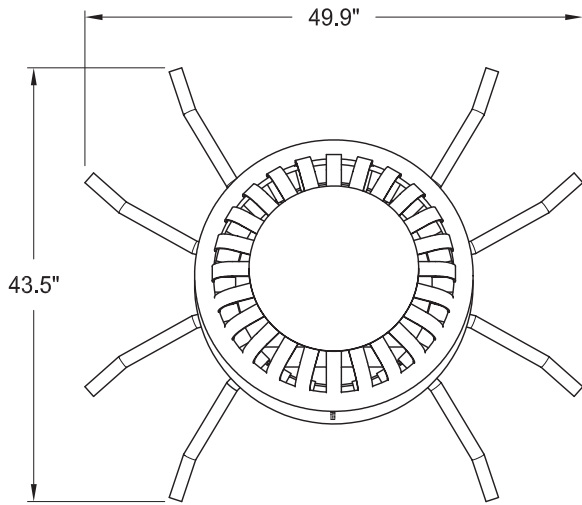




259 Third Concession Rd, PO Box 490
Princeton ON, N0J 1V0
Toll Free: 1-800-387-6318
Phone: (519) 458-4882
Fax: (519) 458-8087
www.peml.com

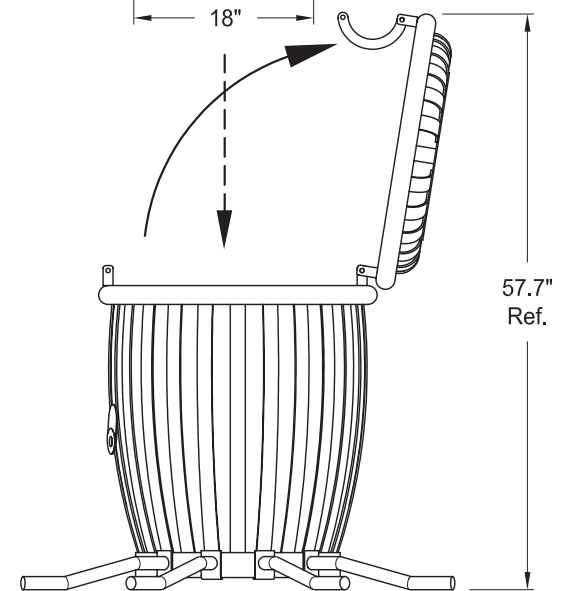
Octopus Creature Can Specifications

Model: CCO34



To Remove Litter:

- 1) Remove Bolt from bottom of Lid Strut.
- 2) Carefully Tilt Lid Back.
- 3) Remove Liner or Bag within Liner



Materials:

3/16" x 1.5" and 2.5" Steel Flat Bar
3/16" Thick Steel Plate
1.32 and 1.90" O.D. Steel Tube
1/4" and 5/8" Diameter Steel Rod
1.5" Diameter Steel Ball Bearing

Notes:

Dimensions shown are in inches.
Anchoring Hardware Not Included.

These specifications are subject to
change at the discretion of PEML.

Finish: Polyester Powder Top Coat over E-Coated Substrate.