

SX Series Picnic Tables Specifications

SX Series Square Picnic Tables

with Polyester Powdercoat Top, Seats and Frame

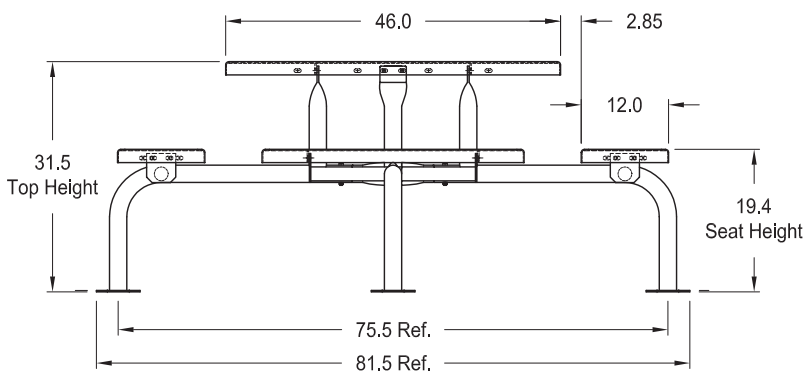
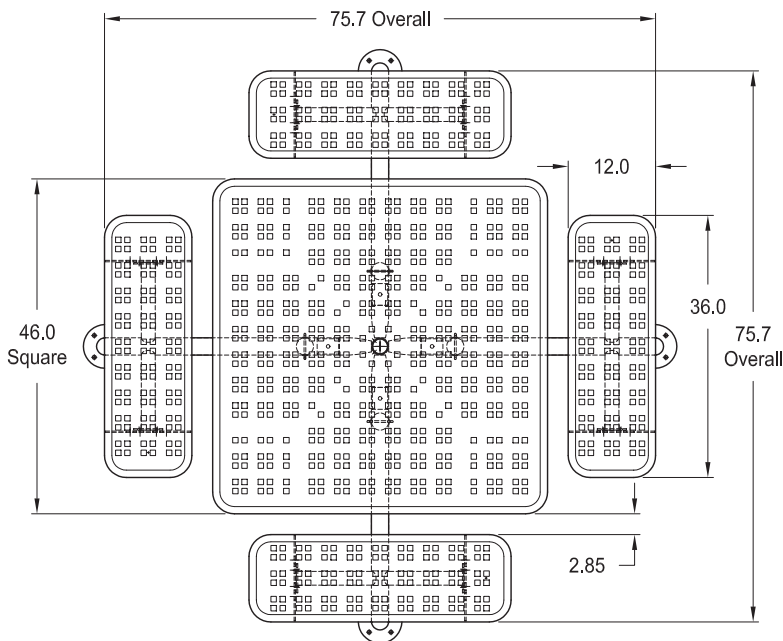
Models:

SXS-4PS-S (Round Hole Pattern Perforated Steel)

SXS-4PSQ-S (Square Hole Pattern Perforated Steel, Shown)

SXS-4PE-S (Expanded Steel Mesh)

NOTE: The suffix "-S" in the model number indicates "Surface Mount". For "Inground Mount", substitute "-G"



SX Series Round Picnic Tables

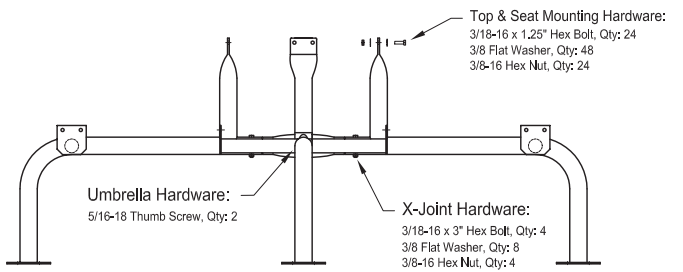
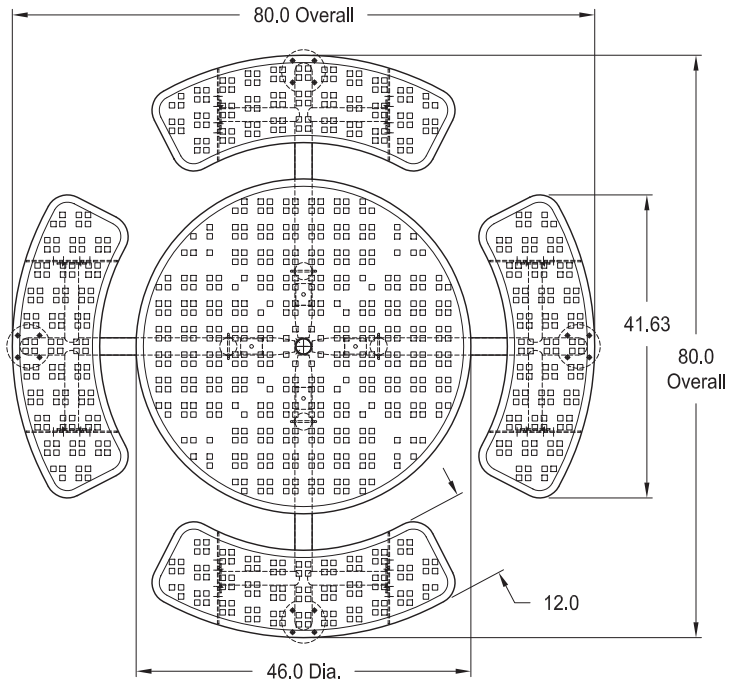
with Polyester Powdercoat Top, Seats and Frame

Models:

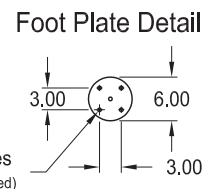
SXR-4PS-S (Round Hole Pattern Perforated Steel, Shown)

SXR-4PSQ-S (Square Hole Pattern Perforated Steel)

SXR-4PE-S (Expanded Steel Mesh)



Frame Detail
 (Shown without Seats and Top)



Materials:

Frame: 2.375" O.D. ILG Steel Tube with 1.9" O.D. ILG Seat Brace Tubes

Mounting Plates: 3/16" Thick Steel Plate

Tops & Seats: 11 Ga. Steel perimeter frame, 13 Ga. Steel Panels,

3/16" Thick Steel Plate Mounting Brackets

Hardware: Stainless Steel

Finishes:

1) Polyester powder coat on frame.

Notes:

Dimensions shown in inches.

Anchoring Hardware Not Included.

We have endeavoured to insure that all product specifications listed on this document were correct at time of publication. We reserve the right to improve, alter, or discontinue specifications without notice.

Rev. Oct 2010