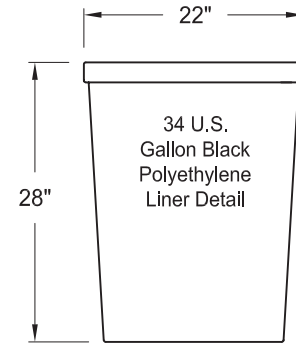
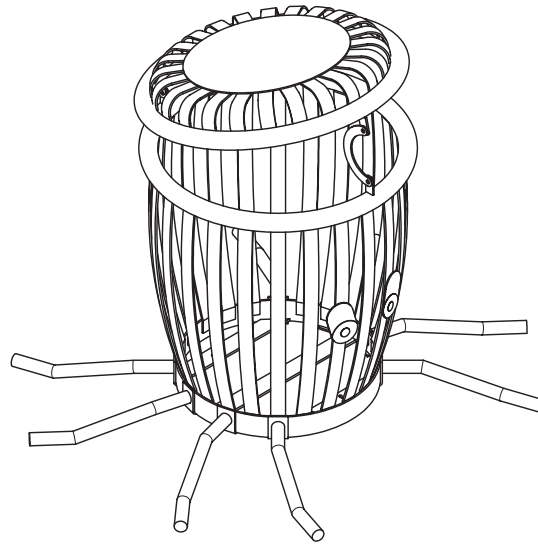
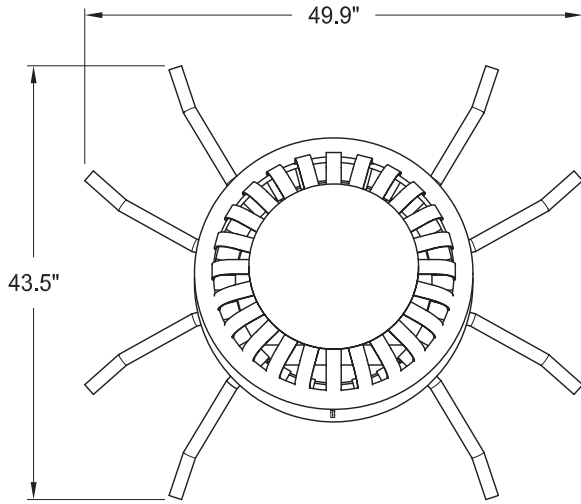
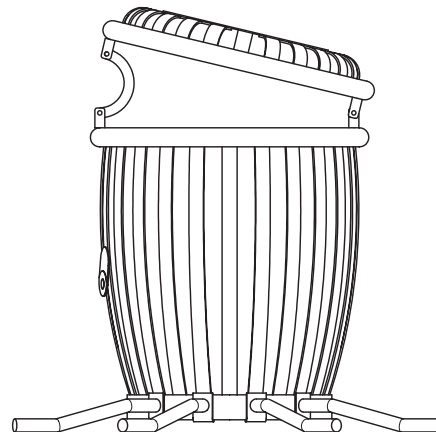
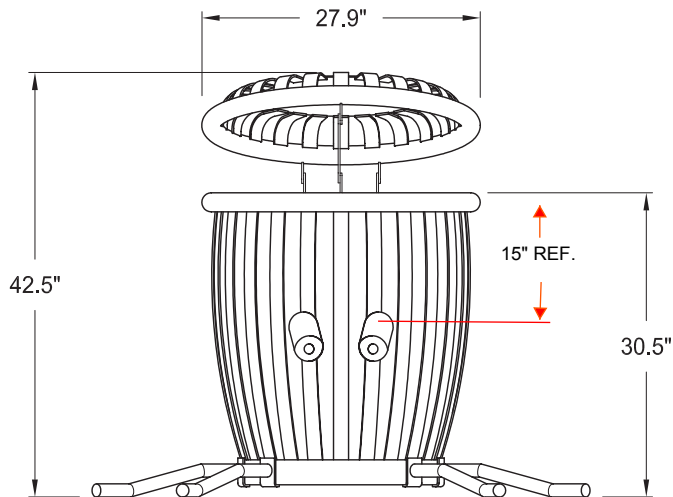
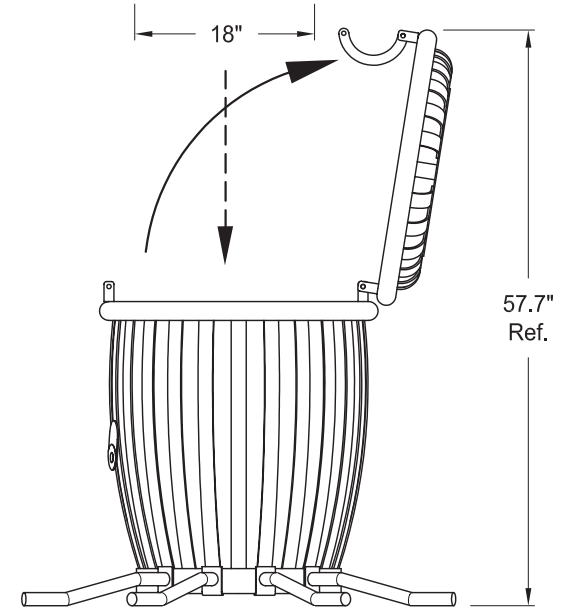


BREAK ALL EDGES AND CORNERS



To Remove Litter:

- 1) Remove Bolt from bottom of Lid Strut.
- 2) Carefully Tilt Lid Back.
- 3) Remove Liner or Bag within Liner



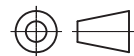
Materials:
 3/16" x 1.5" and 2.5" Steel Flat Bar
 3/16" Thick Steel Plate
 1.32 and 1.90" O.D. Steel Tube
 1/4" and 5/8" Diameter Steel Rod
 1.5" Diameter Steel Ball Bearing

Notes:
 Dimensions shown are in inches.
 Anchoring Hardware Not Included.
 These specifications are subject to change at the discretion of PEML.

Finish: Polyester Powder Top Coat over E-Coated Substrate.

Stock code	QTY	Description
250-490	2	3/8-16 X 1 BHCS SS SCREW (FOR INSTALLING EYE)
250-565	8	1/2-13X1 BHCS 6 LB SS,PATCH (FOR INSTALLING LEGS)
250-650	4	3/8-16X3/4 BHCS, 18-8SS (FOR INSTALLING BRACKETS)
253-170	6	3/8-16 NUT NYLOCK,18-8SS,WAX
254-071	10	3/8 WASHER FLAT ANSI TYPE A SS

REV	ECN	REVISION DESCRIPTION	DATE	BY
-	ERN--	NEW DRAWING RELEASE	-	-
		REVISION DESCRIPTION		



TOLERANCES UNLESS OTHERWISE NOTED:
 2 PLACE DEC. ±.030
 3 PLACE DEC. ±.010
 ANGLES ±1.0°

PARIS

Site Furnishings • Outdoor Fitness

Toll-Free: 1-800-387-6318

ITEM	DESCRIPTION	P/N	QTY
SCALE: 1:20	TITLE		
DATE: 08Dec10	Octopus Creature Can Specifications		
DRAWN BY: DPH	Model: CC034		REVISION
CHECKED BY: -	DWG NO:		-
SHEET 1 OF 1			