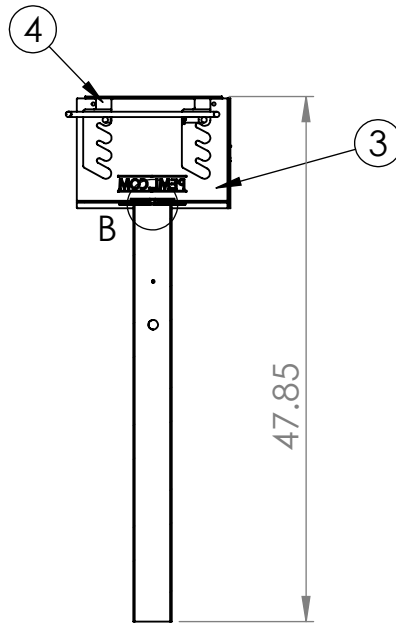
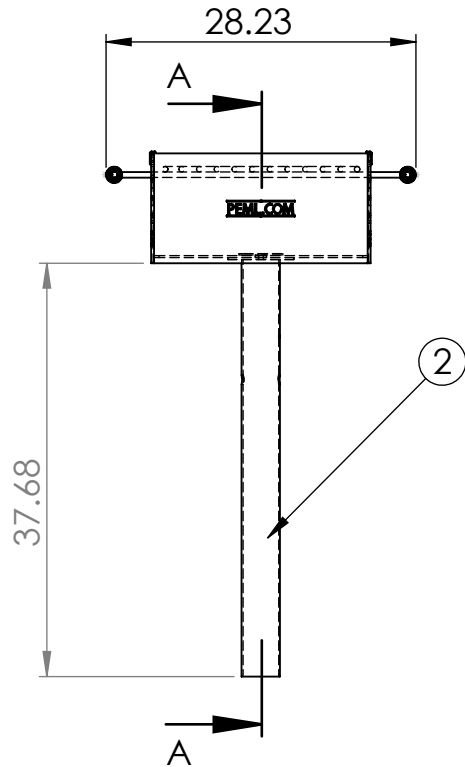
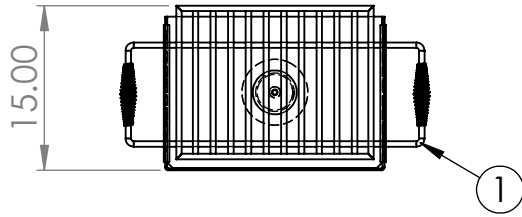
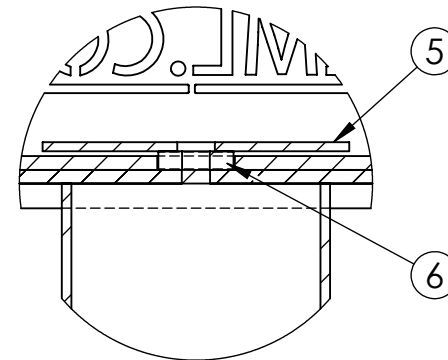


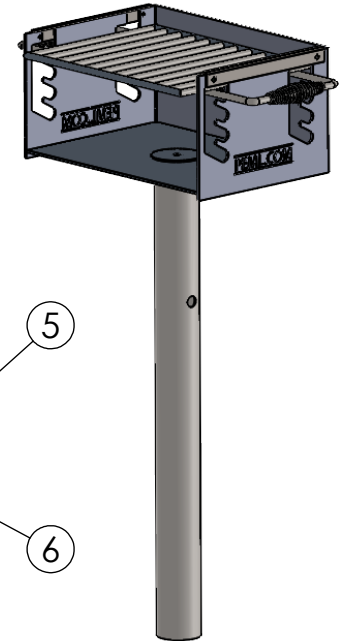
- NOTES:
 1. MATERIAL:
 2. STOCK SIZE:
 3. FINISH:



SECTION A-A
SCALE 1 : 17.5



DETAIL B
SCALE 2 : 5



ITEM NO.	PART NUMBER	DESCRIPTION	QTY.
1	304-781	BBQ-GRILL WELDMENT	1
2	304-782	BBQ-PEDESTAL WELDMENT	1
3	304-783	BBQ-SURROUND WELDMENT	1
4	117-691	BBQ-SIDEPLATE	2
5	117-690	BBQ-ROTATOR DISC	1
6	250-898	BBQ-ROTATOR PIN	1

UNLESS OTHERWISE SPECIFIED
 DO NOT SCALE DRAWING
 INTERPRET DIMENSIONS AND TOLERANCES
 PER ASME Y14.5M-1994
 DIMENSIONS ARE IN INCHES
 TOLERANCES APPLY AS SHOWN BELOW
 DECIMALS 48" & UNDER OVER 48"
 1 PL DEC ± 0.125 ± 0.250
 2 PL DEC ± 0.062 ± 0.125
 3 PL DEC ± 0.031 ± 0.031
 ANGLES ± 1.5°

THIRD ANGLE PROJECTION



DRAWN BY
DE

DATE
10/25/2022

PROPRIETARY
 NO PART OF THIS DOCUMENT MAY BE REPRODUCED, STORED IN A RETRIEVAL
 SYSTEM, OR TRANSMITTED IN ANY FORM, WITHOUT THE WRITTEN PERMISSION OF
 Tiercel Technology Corporation.

TITLE

PEDESTAL GRILL ASSEMBLY

SIZE PART NO.

A

464-352

REVISION

0

SCALE
1:17.5

WEIGHT
67.52 lbs

SHEET 1 OF 1