

PARIS

Site Furnishings • Outdoor Fitness



259 Third Concession Rd, PO Box 490
Princeton, ON N0J 1V0
Toll Free: 1-800-387-6318
Phone: (519) 458-4882
Fax: (519) 458-8087
www.peml.com

Materials:

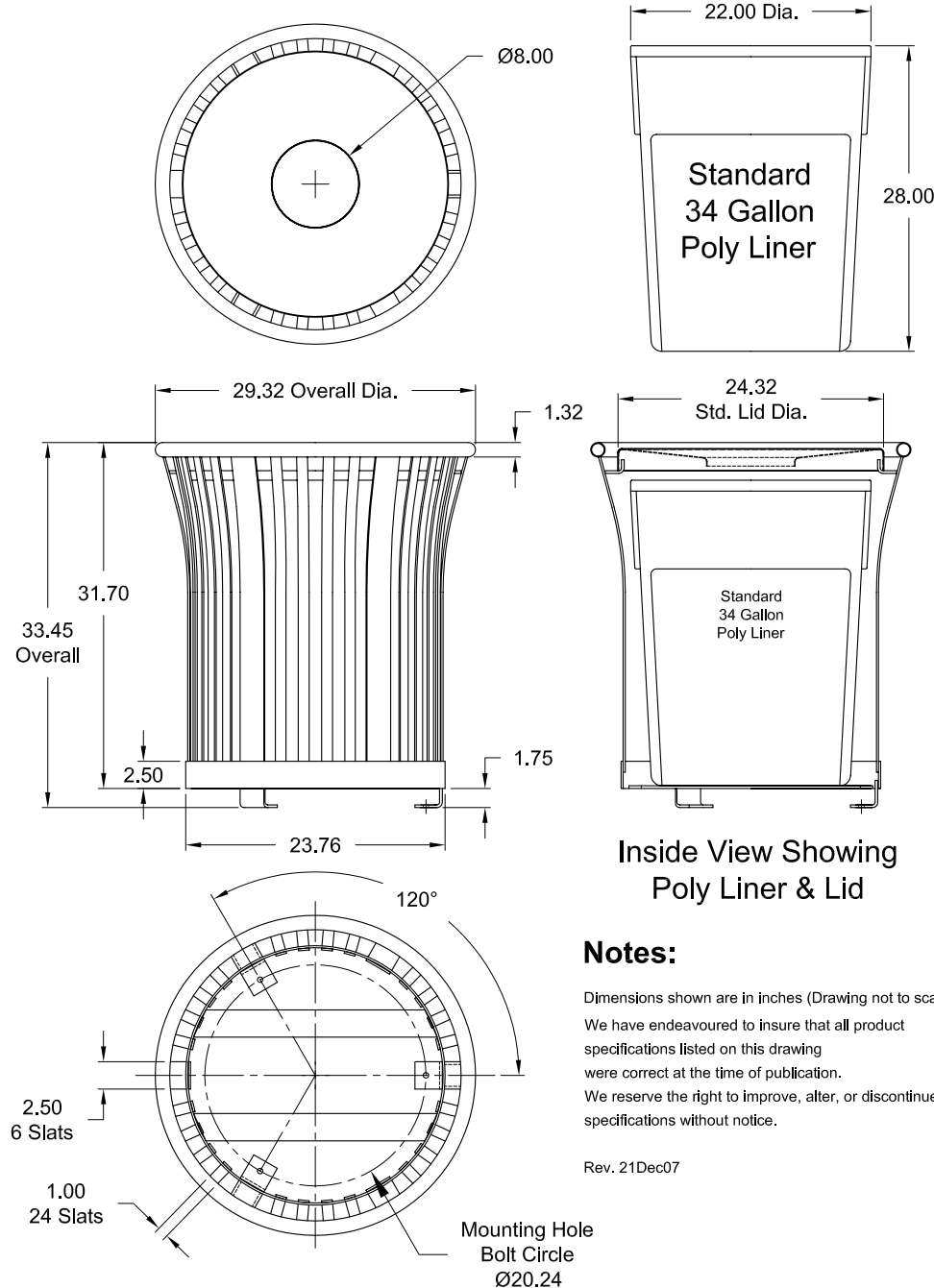
3/16" x 1" Steel Bar (Vertical Slats)
3/16" x 2 1/2" Steel Bar (Vertical Slats)
1/4" x 2 1/2" Steel Bars (Base & Brackets)
3/16" x 2 1/2" Steel Bar (Hoops)
1 5/16" O.D. Steel Tube (Top Ring)
16 Ga. Steel (Lid)

Finish:

All steel components receive corrosion protection from a Zinc Rich Primer. The Primer is applied as an Epoxy Powder Coat after the metal components are sandblasted. This is followed with a durable Polyester Powder Finish Top Coat. Both coatings are electrostatically applied and then thermally cured for long-lasting durability.

Hardware:

These Litter Receptacles feature Fully-Welded Construction. No hardware is required. Anchoring Hardware Not Included.

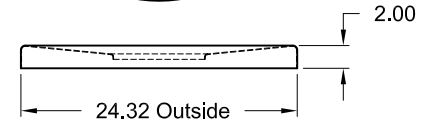
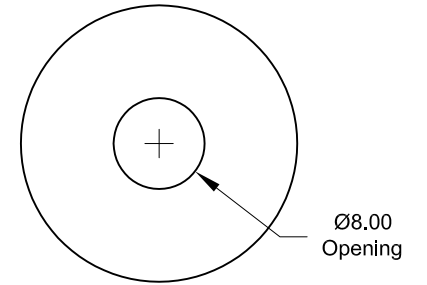


Specifications

Premier Serenity Tapered Side Litter Receptacle

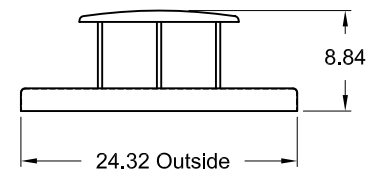
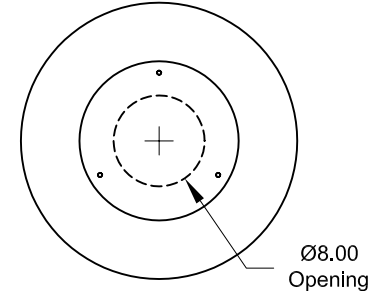
Model# PSTS34

Standard Steel Lid

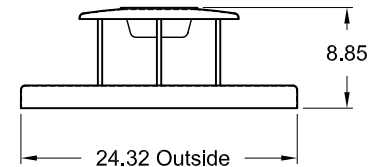


(Note: All Lids are attached to the Receptacle with a Stainless Steel Lanyard for added security.)

Optional Steel Lid With Dome Cover



Optional Steel Lid With Ash Urn in Dome



Notes:

Dimensions shown are in inches (Drawing not to scale).

We have endeavoured to insure that all product specifications listed on this drawing were correct at the time of publication.

We reserve the right to improve, alter, or discontinue specifications without notice.

Rev. 21Dec07