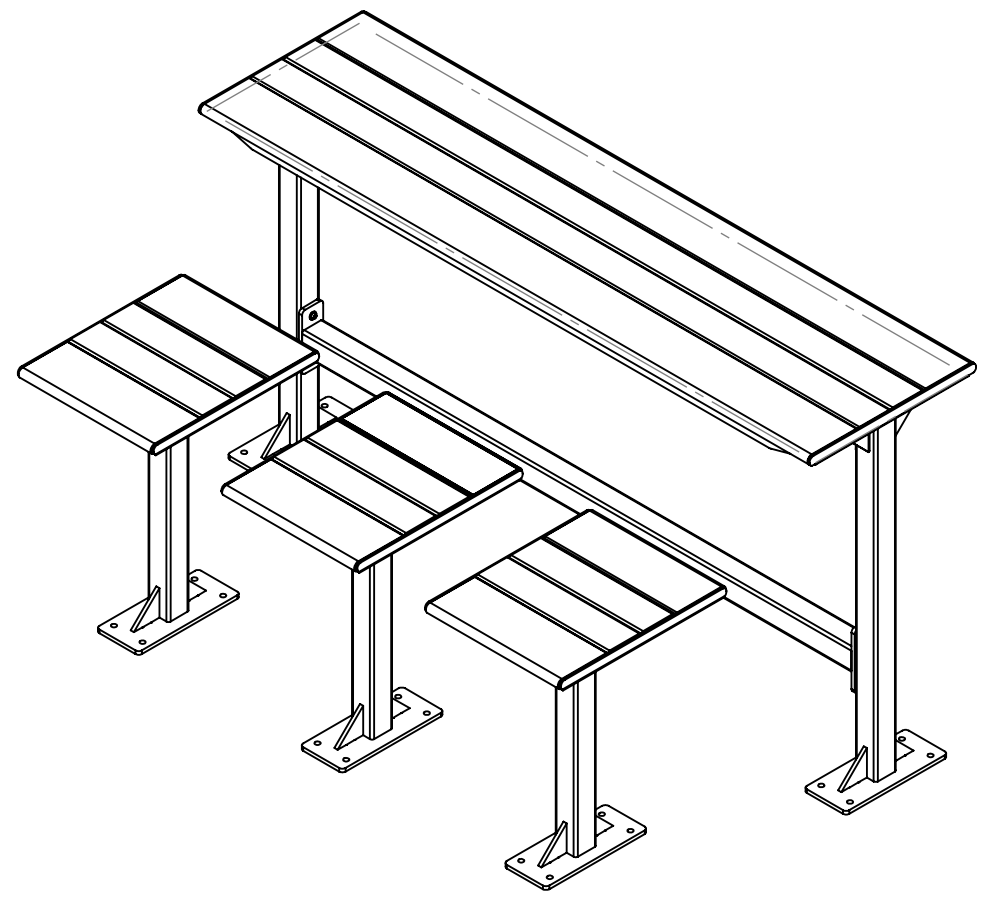


ITEM NO.	PART NUMBER	DESCRIPTION	QTY.
1	117-806	6FT DINING/BISTRO TABLE TBL TBL BRD 4"	2
2	117-807	6FT DINING/BISTRO TABLE BRD 6" O/S	2
3	304-823	6FT DINING TABLE TBL X-BRC	1
4	304-822	6FT DINING TABLE TBL FRM	2
5	304-838	BISTRO TABLE TOP WELDMNT	1
(A) 6	304-821	6FT BISTRO TABLE SEAT FRM	3
7	117-802	6FT BISTRO TABLE SEAT BRD 6"	6
8	117-801	6FT BISTRO TABLE SEAT BRD 4"	6
9	254-071	3/8 WASHER FLAT ANSI TYPE A SS	16
10	250-517	3/8-16X1-1/4 BHCS TORX 18-8 SS	16
11	253-166	NUTSERT 3/8-16x.027-.150" GRIP	16
12	250-961	1/4-20X1 PAN TORX SCREW #3 TEK	72
13	250-089	1/4 WASHER SS	72



UNLESS OTHERWISE SPECIFIED
DO NOT SCALE DRAWING
INTERPRET DIMENSIONS AND TOLERANCES
PER ASME Y14.5M-1994
DIMENSIONS ARE IN INCHES
TOLERANCES APPLY AS SHOWN BELOW
DECIMALS 48" & UNDER OVER 48"
1 PL DEC ± 0.125 ± 0.250
2 PL DEC ± 0.062 ± 0.125
3 PL DEC ± 0.031 ± 0.031
ANGLES ± 1.5°

THIRD ANGLE PROJECTION



PARIS
Great Furnishings • Outdoor Furniture

DRWN BY: SP DATE: 2.12.2024

PROPRIETARY
NO PART OF THIS DOCUMENT MAY BE REPRODUCED, STORED IN A RETRIEVAL SYSTEM, OR TRANSMITTED IN ANY FORM, WITHOUT THE WRITTEN PERMISSION OF Tiercel Technology Corporation.

TITLE **6FT BISTRO TABLE (3 SEATS)
CP-BUM-A&W-3SEAT**

SIZE **B** DRAWING NO **462-576** REVISION **A**

SCALE 1:16 WEIGHT 187.60 lbs SHEET 1 OF 1

REVISIONS				
REV.	DESCRIPTION	DATE	BY	ECO #
-	INITIAL RELEASE	2.12.2024	SP	12942
A	REVISED BOM	4/2/2024	SP	12995