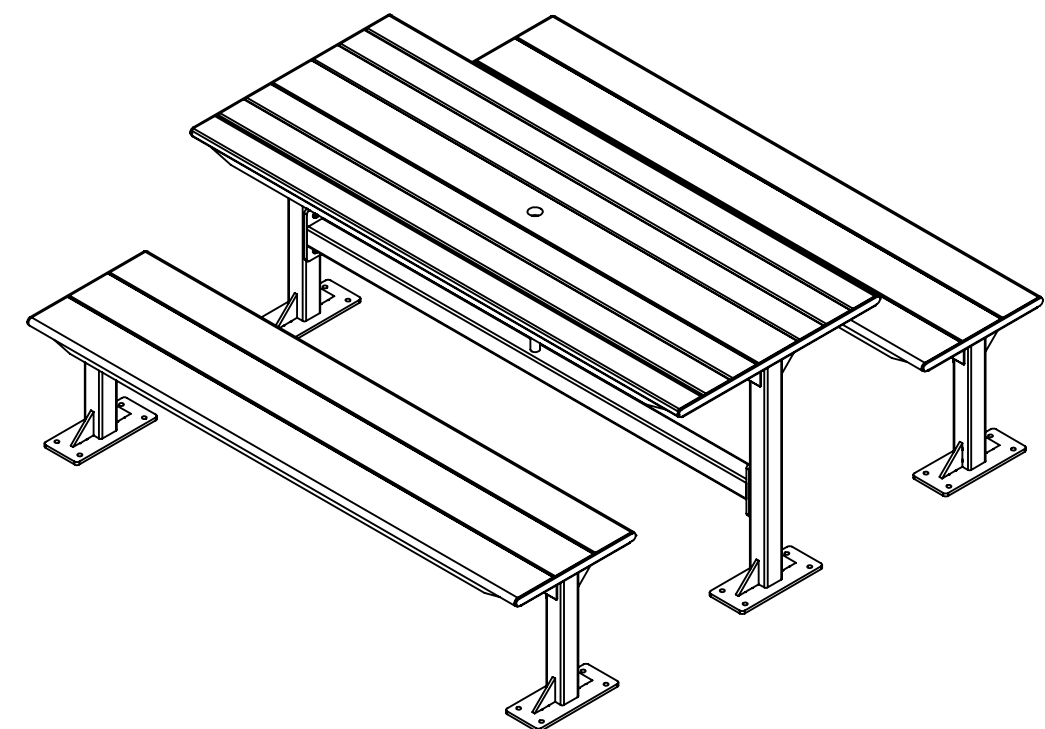


ITEM NO.	PART NUMBER	DESCRIPTION	QTY.
1	117-820	6FT DINING TABLE TBL BRD 4" (RAD)	2
4	117-806	6FT DINING/BISTRO TABLE TBL TBL BRD 4"	4
3	117-821	6FT DINING TABLE TBL BRD 6"	2
4	117-807	6FT DINNING/BISTRO TABLE BRD 6" O/S	4
5	304-825	6FT DINING TABLE TBL FRM	2
6	304-824	6FT DINING TABLE SEAT FRM	4
7	304-826	6FT DINING TABLE TBL X-BRC (UMB)	1
8	253-166	NUTSERT 3/8-16x.027-.150" GRIP	40
9	254-071	3/8 WASHER FLAT ANSI TYPE A SS	40
10	250-517	3/8-16X1-1/4 BHCS TORX 18-8 SS	40
11	117-222	6FT DINING TABLE BRD 6" (UMB)	1
12	250-249	1/4 WASHER SS	78
13	250-961	1/4-20X1 PAN TORX SCREW #3 TEK	78
14	304-839	PICNIC TABLE TOP WELDMENT	1
15	304-840	BENCH TOP WELDMENT	2



UNLESS OTHERWISE SPECIFIED
 DO NOT SCALE DRAWING
 INTERPRET DIMENSIONS AND TOLERANCES
 PER ASME Y14.5M-1994
 DIMENSIONS ARE IN INCHES
 TOLERANCES APPLY AS SHOWN BELOW
 DECIMALS 48" & UNDER OVER 48"
 1 PL DEC ± 0.125 ± 0.250
 2 PL DEC ± 0.062 ± 0.125
 3 PL DEC ± 0.031 ± 0.031
 ANGLES ± 1.5°

THIRD ANGLE PROJECTION

PARIS
 Great Furnishings • Outdoor Furniture

UNIVERSAL

DRAWN BY: SP DATE: 2.12.2024

PROPRIETARY
 NO PART OF THIS DOCUMENT MAY BE REPRODUCED, STORED IN A RETRIEVAL SYSTEM, OR TRANSMITTED IN ANY FORM, WITHOUT THE WRITTEN PERMISSION OF Tiercel Technology Corporation.

TITLE **6FT PICNIC TABLE (2 BENCHES)
 CP-BUM-A&W-4SEAT**

SIZE **B** DRAWING NO. **462-577** REVISION **A**

SCALE 1:16 WEIGHT 288.83 lbs SHEET 1 OF 1

REVISIONS				
REV.	DESCRIPTION	DATE	BY	ECO #
-	INITIAL RELEASE	2.12.2024	SP	12942
A	REVISED BOM	4/2/2024	SP	12995