

PARIS

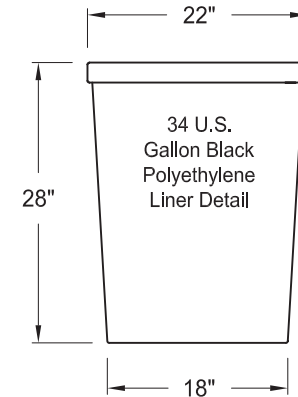
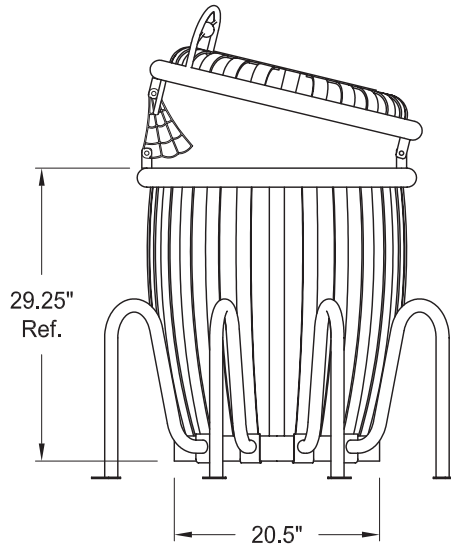
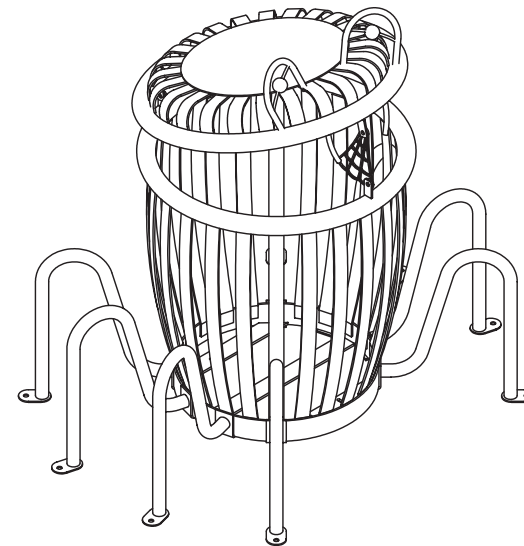
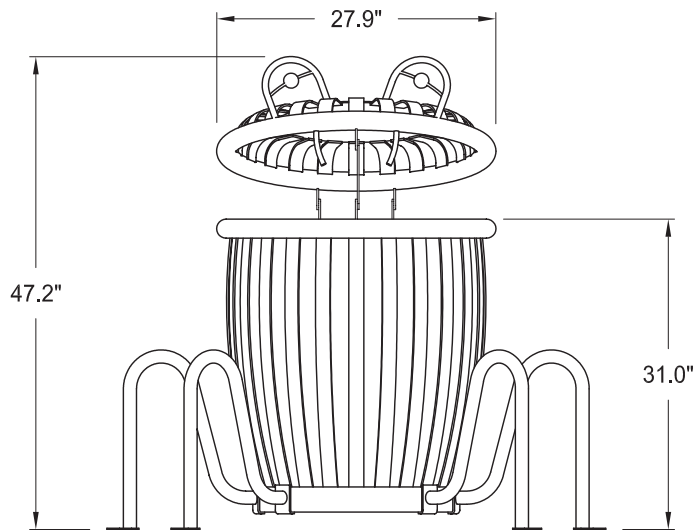
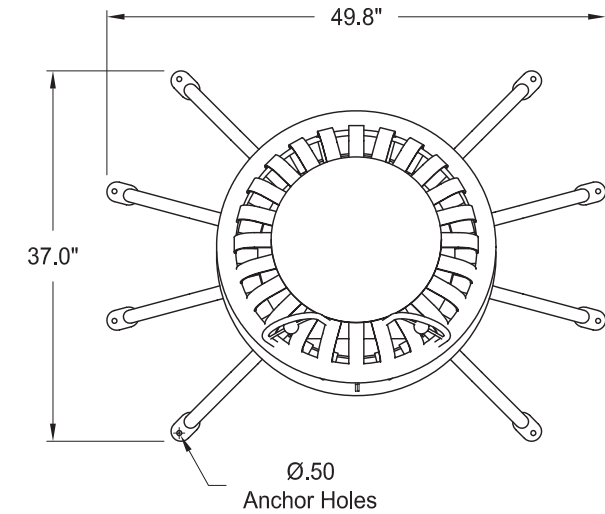
Site Furnishings • Outdoor Fitness



259 Third Concession Rd, PO Box 490
 Princeton, ON N0J 1V0
 Toll Free: 1-800-387-6318
 Phone: (519) 458-4882
 Fax: (519) 458-8087
 www.peml.com

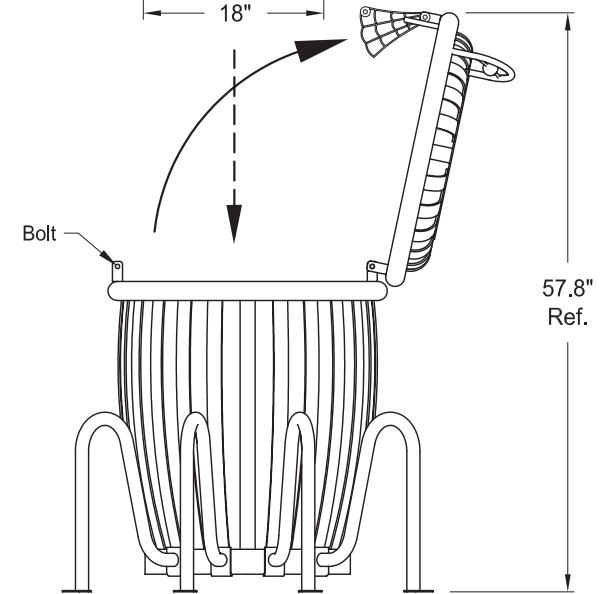
Spider Creature Can Specifications

Model: CCS34



To Remove Litter:

- 1) Remove Bolt from bottom of Lid Strut.
- 2) Carefully Tilt Lid Back.
- 3) Remove Liner or Bag within Liner



Materials:
 3/16" x 1.5" and 2.5" Steel Flat Bar
 3/16" Thick Steel Plate
 1.32 and 1.90" O.D. Steel Tube
 1/4" and 5/8" Diameter Steel Rod
 1.5" Diameter Steel Ball Bearing

Notes:
 Dimensions shown are in inches.
 Anchoring Hardware Not Included.

These specifications are subject to change at the discretion of PEML.

Finish: Polyester Powder Top Coat over E-Coated Substrate.